

Lift and Dispense a Drum

>> [Click to Watch Video](#) <<



Drum Handling System

- Automatically adjusts for 22" to 23.5" (56 to 59.7 cm) diameter drum
- Accepts Diameter Adapters for smaller drums
- Install Top Rim Clamp or Bracket Assembly to handle a plastic drum
- Flexible cinch chain cover helps protect drum sidewall
- Alloy cinch chain and hinge
- Durable stress relief weld joints



Each Hydra-Lift Karrier Features

Heavy-duty hydraulic ram has built-in flow control for uniform, controlled speed of descent with even the heaviest drum. Heavy-duty hydraulic lift cylinders include velocity fuse to provide full line shut-off in case of line failure.

Welded rectangular steel tube framework.

Maneuver on two 8" (20.3 cm) durable polyolefin wheels and two 4" (10.2 cm) swivel casters. Has screw down floor lock.

Manual-LIFT models have hydraulic hand pump with variable release valve for drum lift.

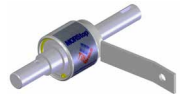
Manual-TILT models have 30:1 reduction simple and easy drum pouring.

Manual Tilt Control Options

We recommend Factory Installed

Option # 3900i-P

MORStop Tilt-Brake to automatically hold drum tilt angle.



Option X02-400-72 or X03-400-96
9" (22.9 cm) Hand Crank



Option X03-400-72 or X03-400-96
16" (40.6 cm) Hand Wheel

- Control Lifting Height and Pouring Angle
- Removes Effort and Increases Productivity
- Power Lift and Tilt Options
- 360° Tilt Control in Either Direction
- Models with Spark Resistant Parts
- Capacity: 800 Lb. (363 kg) full drum (500 Lb. (227 kg) half-full* drum)

Easily handle a heavy drum. Lift, move and control pouring of a 55-gallon (210 liter) drum weighing up to 800 Lb. (363 kg) with minimal effort. Handle a variety of drums by installing correct accessories for your drum(s). Models with maximum pouring heights of 72" or 96" (183 or 244 cm).

Raise and control dispensing. Increase pouring angle for full discharge, reduce to control pour rate, or reverse to stop pouring and deliver partial drum contents.

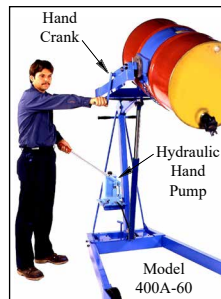
Material is poured forward straight from drum with variable lift and pour angles. Works with faucet, pipe, valve extension, etc. attached to drum.

- Lift drums on and off scales, platforms, conveyors or trucks
- Move drums to and from storage
- Position drum of parts for access at work stations



Model 400A-96-110 with 96" dispensing height and electric power lift and tilt.

Manual Tilt Controls (Power Options pg 2)

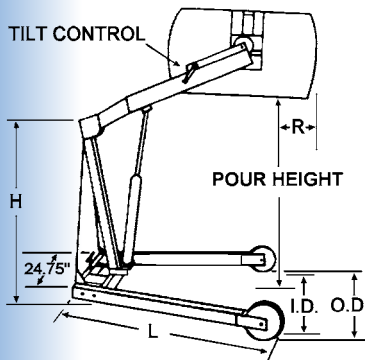


Model 400A-60 has hand crank tilt control.



Model 400A-72

Models 400A-72 and 400A-96 have pull chain and chain wheel tilt control.



Dimensions									
Model #	Maximum Dispensing Height	Tilt Control	R	H	L	O.D.	I.D.	Turning Radius	Domestic Ship Weight
400A-60	72" 183 cm	Hand Crank	6" 15 cm	55" 140 cm	60" 152 cm	44.3" 112.5 cm	37" 94 cm	6'	308 Lb. 140 kg
400A-72	72" 183 cm	Chain Wheel	6" 15 cm	55" 140 cm	60" 152 cm	44.3" 112.5 cm	37" 94 cm	6'	311 Lb. 141 kg
400A-96	96" 244 cm	Chain Wheel	-3" -7.6 cm	69" 175 cm	72.5" 184 cm	49" 124 cm	42" 107 cm	7'	379 Lb. 172 kg

Reach Beyond Front Wheels with a 55-Gallon Steel Drum			
Model #	Dispensing Height	Reach with Horizontal Drum	Reach with Drum Pouring at 45 Degrees
400A-60 or 400A-72	36" (91.4 cm)	16" (40.6 cm)	2" (5.1 cm)
	48" (121.9 cm)	15" (38.1 cm)	0
	60" (152.4 cm)	12" (30.5 cm)	-7" (-17.8 cm)
	72" (182.9 cm)	6" (15.2 cm)	- N/A -
400A-96	36" (91.4 cm)	11" (27.9 cm)	-1" (-2.5 cm)
	48" (121.9 cm)	13" (33 cm)	0
	60" (152.4 cm)	13" (33 cm)	-3" (-7.6 cm)
	72" (182.9 cm)	11" (27.9 cm)	-7" (-17.8 cm)
	84" (213.4 cm)	6" (15.2 cm)	-15" (-38.1 cm)
96" (243.8 cm)	-3" (7.6 cm)	-20" (-50.8 cm) at 90° (228.6 cm)	

* Half-full rating is based on tilt mechanism's capacity for handling a bottom heavy drum. A partially full drum with unbalanced and shifting load is harder to tilt than a full drum.



morsedrum.com



service@morsedrum.com



(315) 437-8475



103 Kuhn Rd.
Syracuse, NY, 13208 USA

To order complete model with power options, use power option number below as suffix on manual model number. See complete models on page 3.

Power-Tilt must be ordered on NEW model from the factory. All powered models are shipped fully assembled.

Power Lift and Tilt Models

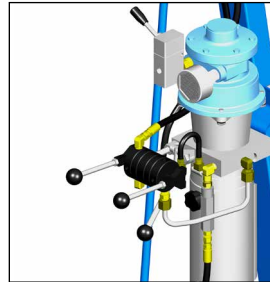
Power Lift and Tilt Models make drum handling easier and faster. There are two hand valve controls: One for power-lift function and a second for power-tilt.

Power Suffix	Motor Type	Motor Control	Ship Weight Adder
-110	AC, 1HP/115V, TEFC	Switch, Cord, Plug	75 Lb. (34 kg)
-114	Air, Vane Type	On/Off Valve	95 Lb. (43 kg)
-115	DC, 12V	Built-in	120 Lb. (54.4 kg)



Electric Power Lift & Tilt

Hold momentary switch and lift valve to raise drum. Use 2nd valve to control hydraulically driven drum tilt. Lower drum with manual release valve.



Air Power Lift and Tilt

Hold on/off valve and lift valve to raise drum. Use 2nd valve to control hydraulically driven drum tilt. Lower drum with manual release valve.

Air motor Requirements: 40 to 60 PSI at 40 SCFM.



Battery Power Lift & Tilt

Self contained battery power lift and tilt. Operate battery power controls to raise and tilt drum. Separate charger is included.

MADE IN USA

MORCINCH™ Kits

MORCINCH™ drum holder automatically adjusts for 22" to 23.5" (56 to 59.7 cm) diameter drum. Use cinch chain with pawl and ratchet mechanism to secure drum in holder.

To safely handle other drums, you MUST install one of the following:

Bracket Assembly provides a brace at top and bottom of drum to prevent it from slipping length-ways. It is REQUIRED to handle a RIMLESS plastic drum, and recommended to more securely handle a fiber drum. Adjust for 31" to 39" (79 to 99 cm) tall drum.

Kit # 4556-P Bracket Assembly

Kit # 4556M-P Spark Resistant Bracket Assembly



Top Rim Clamp grips upper drum rim to prevent it from slipping length-ways. Handle 30-gallon to 55-gallon (114 to 210 liter) size RIMMED plastic or fiber drum.

Kit # 4560B-P Rim Clamp Assembly

Kit # 4560BM-P Spark Resistant Rim Clamp Assembly.



Web Strap with Ratchet



Option # 5115i-P Web Strap and Ratchet (not for use on spark resistant models)



Power Lift Models

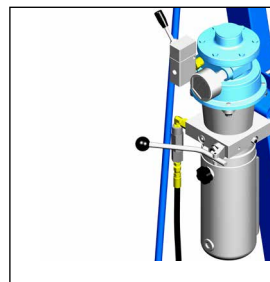
Power-Lift Models ease drum lifting, but retain manual tilt control. Hand crank tilt control is on 60" lift height units. Models with 72" and 96" lift heights have pull chain and chain wheel tilt control.

Power Suffix	Motor Type	Motor Control	Ship Weight Adder
-120	AC, 1HP/115V, TEFC	Switch, Cord, Plug	40 Lb. (18.1 kg)
-124	Air, Vane Type	On/Off Valve	25 Lb. (11.4 kg)
-125	DC, 12V	Built-in	85 Lb. (38.6 kg)



Electric Power Lift

Use switch to raise drum. Lower drum with manual release valve.



Air Motor Power Lift

Use on/off valve to raise the drum. Lower drum with manual release valve. Air motor Requirements: 40 to 60 PSI at 40 SCFM.



Battery Power Lift

Self contained battery power-lift. Operate battery power controls to raise and lower drum. Separate charger is included.

Existing manual lift models can be converted to power lift. Order Power-Lift Kit for "Field installation," such as O-120FI, O-124FI, or O-125FI.

NOTE: 12V Deep Cycle Lead Acid Battery is designed for domestic shipment only. For export shipment, choose the following battery option:

- Option "NB" No Battery. Customer must obtain battery before use... Exide # 27MDP 12V Deep Cycle Battery or equivalent.

Insert correct size Diameter Adapter for smaller drum. Simply insert adapter into standard drum holder without tools. Adapters for 17.5" (44.5 cm) diameter or smaller have integrated brackets at top and bottom of drum. Adjust for up to 38" (96.5 cm) tall drum. Spark resistant and stainless steel Adapters also available.

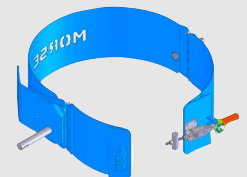
DIAMETER ADAPTERS

DIAMETER AdapterS	SPARK RESISTANT DIAMETER AdapterS	STAINLESS STEEL DIAMETER AdapterS	FITS DIAMETER	DOMESTIC SHIP WEIGHT
55/30-20.5	55/30M-20.5	55/30SS-20.5	20" to 20.5" (50.8 to 52.1 cm)	20 Lb. (9 kg)
55/30-19	55/30M-19	55/30SS-19	18.5" to 19" (47 to 48.3 cm)	24 Lb. (11 kg)
55/30-17.5	55/30M-17.5	55/30SS-17.5	17" to 17.5" (43.2 to 44.5 cm)	35 Lb. (16 kg)
55/30-16	55/30M-16	55/30SS-16	15.5" to 16" 39.4 to 40.6 cm)	35 Lb. (16 kg)
55/30-14.5	55/30M-14.5	55/30SS-14.5	14" to 14.5" (35.6 to 36.8 cm)	36 Lb. (16 kg)

Optional 3-Piece Drum Holder

Option # G-400

Optional 3-Piece Drum Holder is for handling ONLY 22.5" (57.2 cm) diameter 55-gallon (210 liter) steel drum. Surrounds drum with metal band, hinged on each side.





Model 400A-96-110

Hydra-Lift Karrier with 96" lift height, electric powered drum lift and tilt control



Model 400A-72-114

Hydra-Lift Karrier with 72" lift height, air powered drum lift and tilt control



Model 400A-72-115

Hydra-Lift Karrier with 72" lift height, battery powered drum lift and tilt control



Model 400A-72-120

Hydra-Lift Karrier with 72" lift height, electric powered drum lift, and manual pull chain drum tilt control



Model 400A-72-124

Hydra-Lift Karrier with 72" lift height, air powered drum lift, and manual pull chain drum tilt control



Model 400A-72-125

Hydra-Lift Karrier with 72" lift height, battery powered drum lift, and manual pull chain drum tilt control

MADE
IN
USA