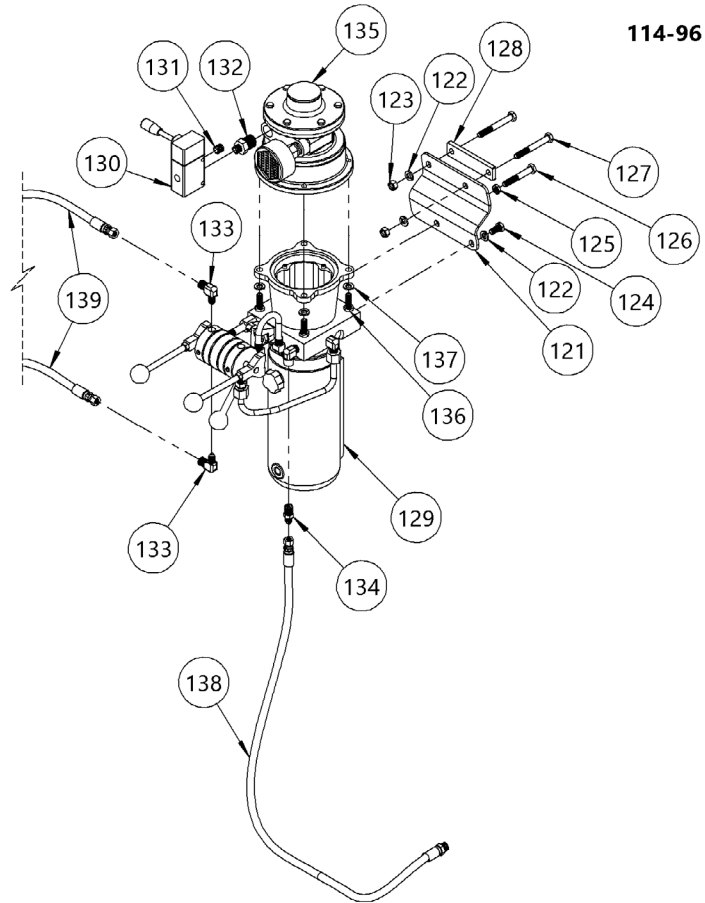


**Parts Diagram for Air Power Lift and Tilt Components
Used on Morse 96" Lift Hydra-Lift Drum Pourers
with serial number 400000 to _____**



ITEM NO.	PART NUMBER	DESCRIPTION	QTY.
121	3643-P	MOUNT PLATE, POWER PUMP	1
122	1474-P	WASHER, 3/8 SPLIT LOCK	3
123	149-P	NUT, 3/8-16 FIN HEX	2
124	1657-P	HHCS, 3/8-16 X 3/4 GR2	1
125	1165-P	NUT, 3/8-16 JAM	1
126	155-P	HHCS, 3/8-16 X 2-1/2 GR2	1
127	1521-P	HHCS, 3/8-16 X 3 GR5	2
128	5848-P	BACK BRACKET, PUMP MOUNT, 400	1
129	M4507-P	HYD POWER PACK, -110, -114	1
130	3632-P	VALVE, AIR MOTOR, 400, 500	1
131	3634-P	HYD FIT, PIPE PLUG, 1/4" HEX	1
132	332-P	HYD FIT, PIPE NIPPLE 1/2 - 1/4	1
133	6648-P	HYD FIT, EL, SAE 4, FLARE	2
134	345-P	HYD FIT, MALE FLARE, 456, 82	1
135	290-A-2P	MOTOR, AIR 2HP, 56C	1
136	1572-P	HHCS, 3/8-16 X 1 GR2 ZINC	4
137	1474-P	WASHER, 3/8 SPLIT LOCK	4
138	3689-P	HYD HOSE ASM, 31"	1
139	1765-P	HYD HOSE ASM, 101", 96 PT	2