

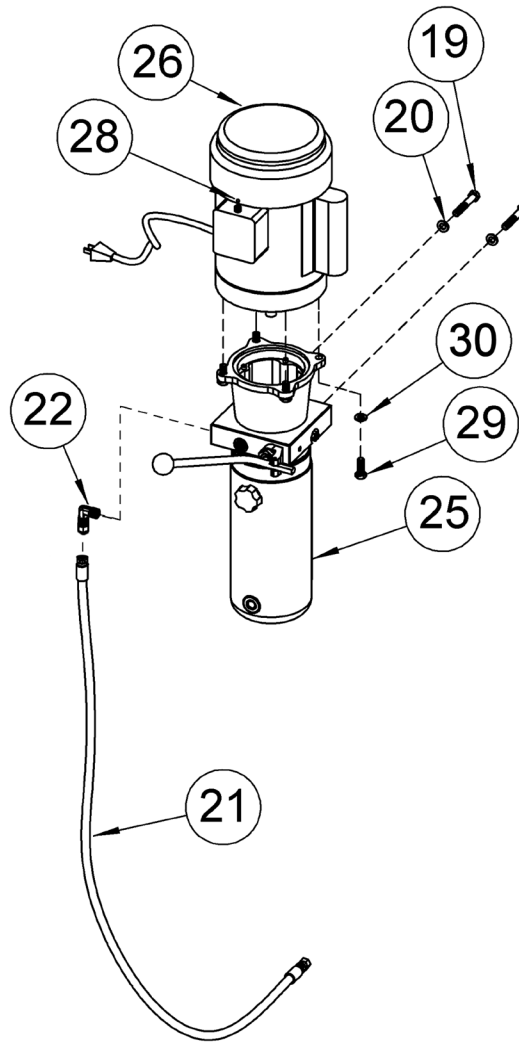
Parts Diagram for AC Power Lift Components for Morse 82 Series Mobile-Karrier / Palletizer with serial # 0212 to ____ (MMYY)



IMPORTANT NOTE

4-Digit serial numbers
are simply the month
& year of manufacture

Example: 0802 is
August 2002



ITEM	QTY.	PART #	DESCRIPTION
19	2	82-P	HHCS, 3/8-16 X 2-1/4 GR2
20	2	1474-P	WASHER, 3/8 SPLIT LOCK
21	1	5253-P	HYD HOSE ASM, 40", 82 SERIES
22	1	3610-P	HYD FIT, MALE ELBOW, SAE
25	1	M4509-P	HYD POWER PACK, -120, -124
26	1	1062-P	MOTOR 1HP 1PH TEFC 56C W/ CORD
28	1	3633-P	SWITCH, TOGGLE, MOMENTARY, 400
29	4	M07817-P	HHCS, 3/8-16 X 7/8
30	4	M07839-P	WASHER, INTERNAL TOOTH, MON

* Recommended Spare Parts