

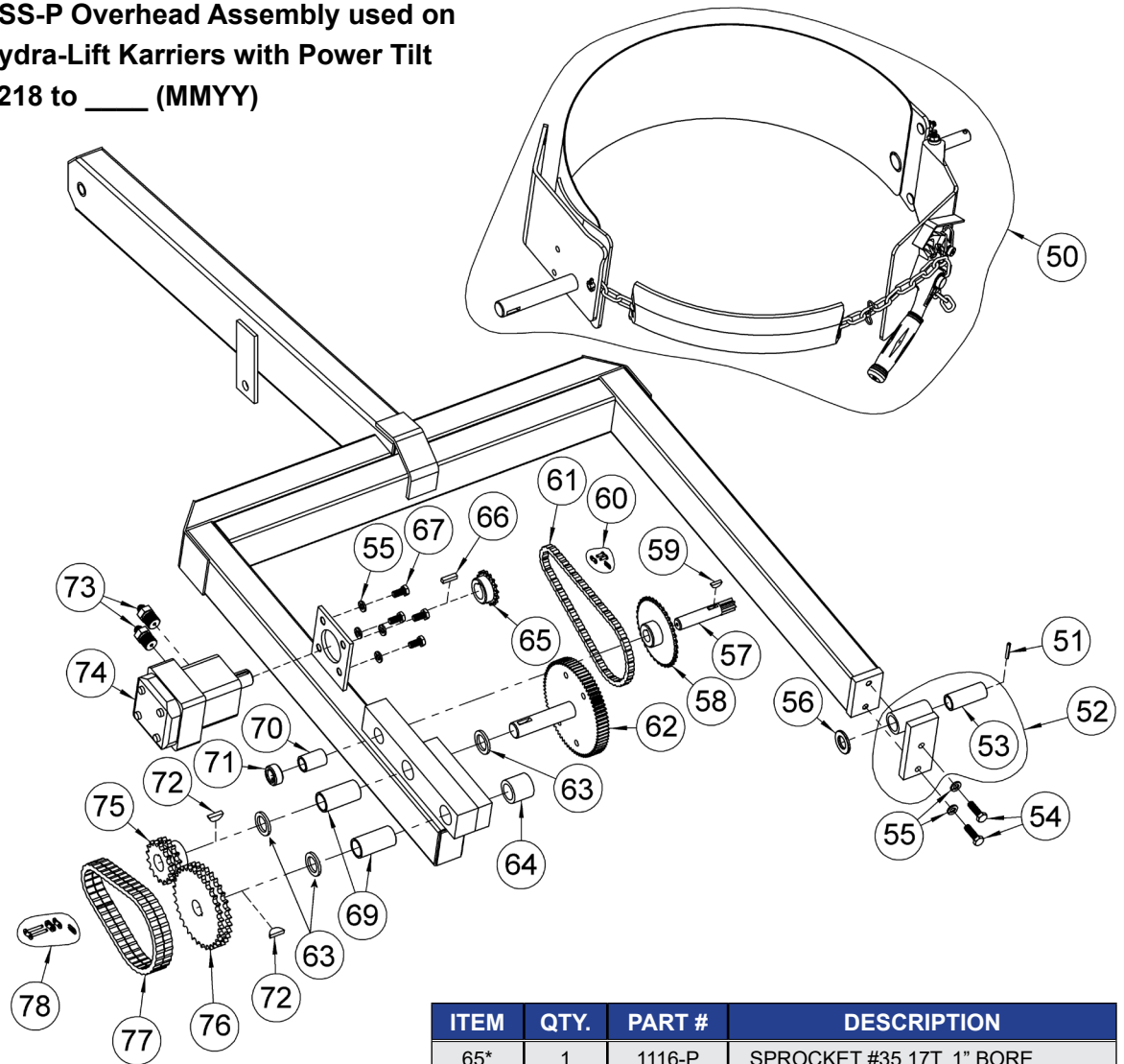
Morse Part # 4521-96SS-P Overhead Assembly used on  
96" Stainless Steel Hydra-Lift Karriers with Power Tilt  
with Serial Number 0218 to \_\_\_\_ (MMYY)



### IMPORTANT NOTE

4-Digit serial numbers  
are simply the month  
& year of manufacture

Example: 0802 is  
August 2002



ITEM	QTY.	PART #	DESCRIPTION
50	1	5000SS-P	SADDLE ASM, MORCINCH, MOR, SS
51*	1	64SS-P	ROLL PIN, 3/16 X 1-1/4, SS
52*	1	3849BSS-P	SLIDING IDLER W/ BEARING, SS
53	1	19-P	BEARING, 3/4" ID X 2-1/2"
54	2	535SS-P	HHCS, 3/8-16 X 1-1/4, SS
55	6	1474SS-P	WASHER, 3/8 SPLIT LOCK, SS
56	1	55SS-P	WASHER, 3/4 SAE FL 1-1/2 OD SS
57*	1	14-P	GEAR, PINION, 7 TOOTH
58*	1	13-P	SPROCKET #35 36T, 3/4" BORE
59*	1	735SS-P	KEY, WOODRUFF, SIZE 9, T304SS
60	1	795-P	LINK, MASTER, #35 CHAIN
61*	1	12-P	CHAIN, ROLLER, #35 W/ M LINK
62*	1	27-P	SPUR GEAR W/ 1" SHAFT, HD TYPE
63	3	29SS-P	SPACER, SPUR GEAR .15", SS
64	1	4372SS-P	SPACER, HD DRIVE SHAFT 1.4" SS

ITEM	QTY.	PART #	DESCRIPTION
65*	1	1116-P	SPROCKET #35 17T, 1" BORE
66*	1	2656-P	KEY, SQUARE, 1/4 X 1"
67	4	1657SS-P	HHCS, 3/8-16 X 3/4 SS
69*	2	18-P	BEARING, 1" ID X 2-1/2"
70*	1	7-P	BEARING, 3/4" ID X 1-1/2"
71	1	15SS-P	COLLAR, 3/4" ID, SS
60*	2	736SS-P	KEY, WOODRUFF, SIZE 15, T304SS
73	2	2120-P	HYD FIT, MALE CONNECTOR, 400
74	1	351-P	MOTOR, HYDRAULIC HYD, 400, 456
75*	1	30-P	SPROCKET #40D 16T, 1" BORE
76*	1	32-P	SPROCKET #40D 32T, 1" BORE
77*	1	31-P	CHAIN, ROLLER, #40D W/ M. LINK
78	1	796-P	LINK, MASTER, #40D CHAIN
79	1	4284-P	COVER KIT, POLY, HD PT OUTER (NOT SHOWN)
80	1	4286PT-P	COVER KIT, POLY, PT INNER (NOT SHOWN)

\* Recommended spare parts.