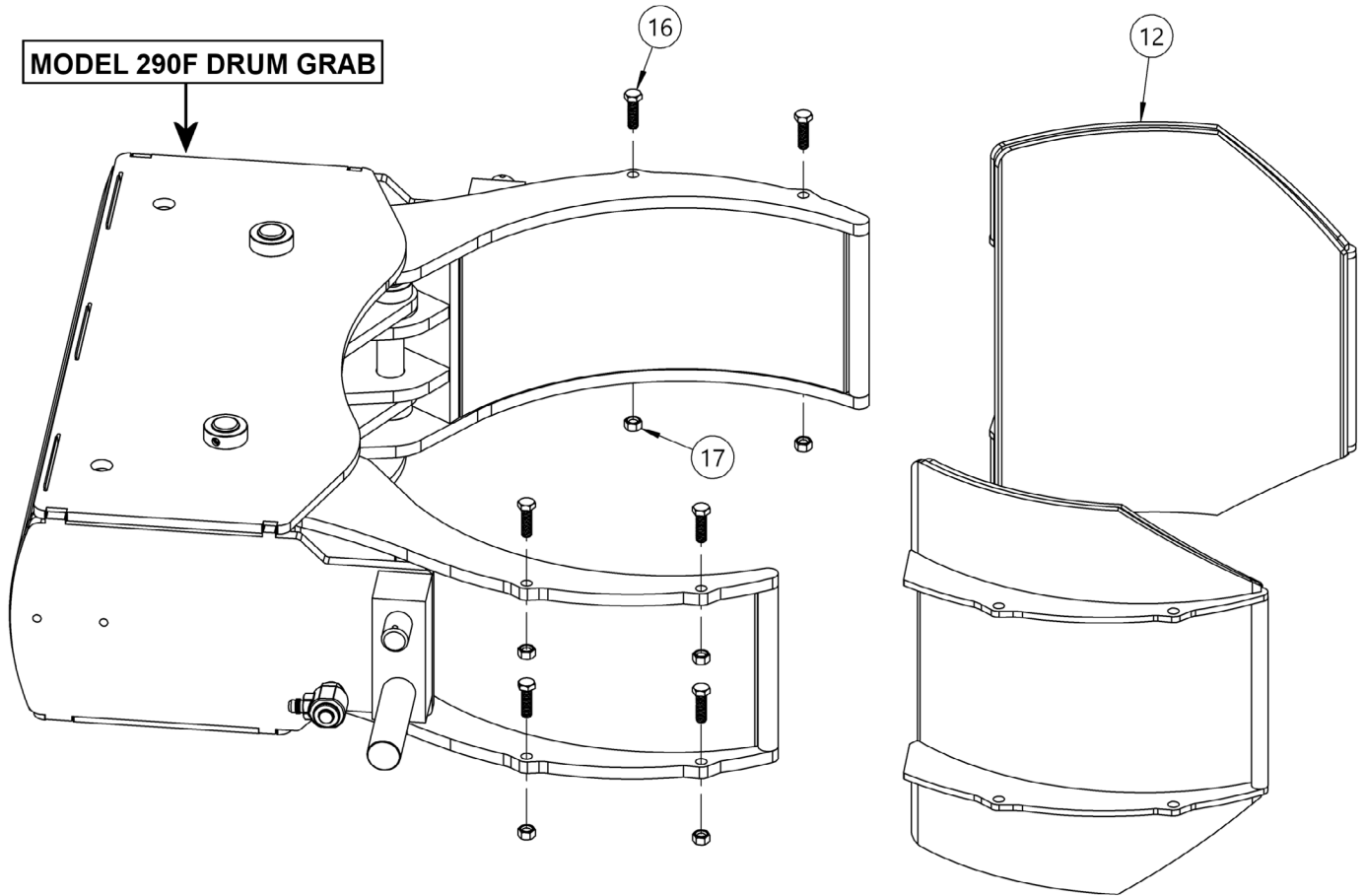


**Parts List and Diagram for Morse Kit # 6172-P Drum Pad Kit for Model 290F**  
**Serial Number 291995 to 314824**



ITEM NO.	PART NUMBER	DESCRIPTION	QTY.
12	6166-P	DRUM PAD, 290F	2
16	535-P	HHCS, 3/8-16 X 1-1/4 GR 5 ZINC	8
17	149-P	NUT, 3/8-16 FIN HEX	8