

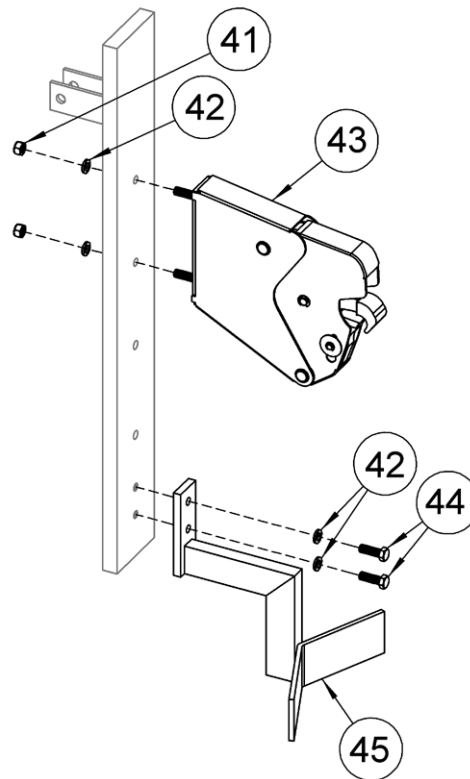
Parts Diagram for Drum Lift Assembly
on 82HM Drum Mover / Palletizers with Spark Resistant Parts
Serial Number 0212 to ____ (MMYY)



IMPORTANT NOTE

4-Digit serial numbers are simply the month & year of manufacture

Example: 0802 is August 2002



ITEM	QTY.	PART #	DESCRIPTION
41	2	91-P	NUT, 1/2-13 FIN HEX
42	4	1644-P	WASHER, 1/2 SPLIT LOCK
43	1	3360M-P	LIGHT DUTY HEAD ASM, SR, 82HM
44	2	2172-P	HHCS, 1/2-13 X 1-1/2 GR5
45	1	3363M-P	BOTTOM DRUM SUPPORT, 82HM