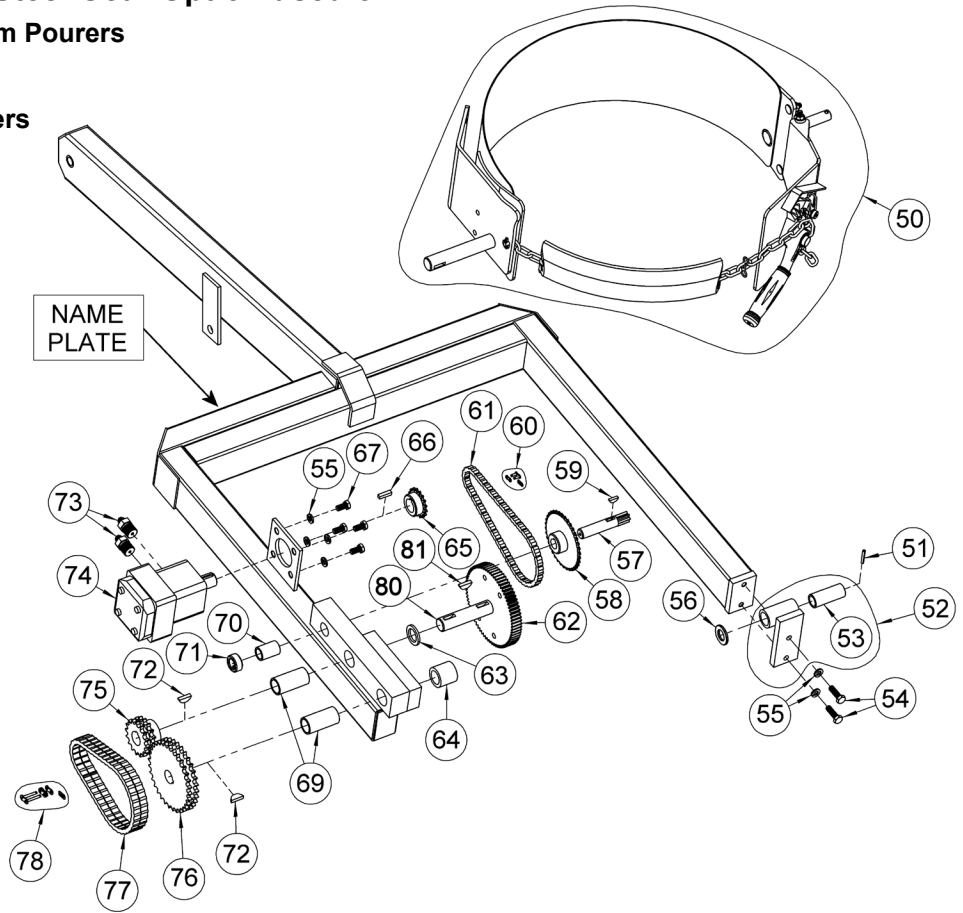


### Morse Option # SSG-PT Stainless Steel Gear Option used on

- 500 Series Power Tilt Vertical-Lift Drum Pourers  
Serial Number 000000 to \_\_\_\_\_
- 400 Series Power Tilt Hydra-Lift Karriers  
Serial Number 0512 to \_\_\_\_ (MMYY)



Option # SSG-PT Stainless Steel Gears, Power Tilt			
ITEM	QTY.	PART #	DESCRIPTION
57*	1	5863-P	GEAR, PINION, 7 TOOTH, SS
58*	1	13SS-P	SPROCKET #35 36T, 3/4" BORE SS
60	1	795SS-P	LINK, MASTER, #35 CHAIN SS
61*	1	12SS-P	CHAIN, ROLLER, #35 SS
62*	1	5862-P	SS SPUR GEAR 72T 1" BORE, KEY
65*	1	1116SS-P	SPROCKET #35 17T, 1" BORE SS
66*	1	2656SS-P	KEY, SQUARE, 1/4 X 1" SS
75*	1	30SS-P	SPROCKET #40D 16T, 1" BORE, SS
76*	1	32SS-P	SPROCKET #40D 32T, 1" BORE, SS
77*	1	31SS-P	CHAIN, ROLLER, #40D SS
78*	1	796SS-P	LINK, MASTER, #40D CHAIN SS
80	1	1420SS-P	SHAFT, SPUR GEAR, W/ WASHER SS
81	1	4065SS-P	KEY SS, NOTCHED, KF-185

### 400 Series Hydra-Lift Karrier Overhead Assembly shown for illustration purposes

Parts Standard on All Stainless Steel Power Tilt 400 Series			
ITEM	QTY.	PART #	DESCRIPTION
50	1	5000SS-P	SADDLE ASM, MORCINCH, MOR, SS

Parts Standard on All Stainless Steel Power Tilt 400 Series			
ITEM	QTY.	PART #	DESCRIPTION
51*	1	64SS-P	ROLL PIN, 3/16 X 1-1/4, SS
52*	1	3849BSS-P	SLIDING IDLER W/ BEARING, SS
53	1	19-P	BEARING, 3/4" ID X 2-1/2"
54	2	535SS-P	HHCS, 3/8-16 X 1-1/4, SS
55	6	1474SS-P	WASHER, 3/8 SPLIT LOCK, SS
56	1	55SS-P	WASHER, 3/4 SAE FL 1-1/2 OD SS
59*	1	735SS-P	KEY, WOODRUFF, SIZE 9, T304SS
63	1	29SS-P	SPACER, SPUR GEAR .15", SS
64	1	4372SS-P	SPACER, HD DRIVE SHAFT 1.4" SS
67	4	1657SS-P	HHCS, 3/8-16 X 3/4 SS
69*	2	18-P	BEARING, 1" ID X 2-1/2"
70*	1	7-P	BEARING, 3/4" ID X 1-1/2"
71	1	15SS-P	COLLAR, 3/4" ID, SS
72*	2	736SS-P	KEY, WOODRUFF, SIZE 15, T304SS
73	2	2120-P	HYD FIT, MALE CONNECTOR, 400
74	1	351-P	MOTOR, HYDRAULIC HYD, 400, 456
79	1	4284-P	COVER KIT, POLY, HD PT OUTER (NOT SHOWN)
80	1	4286PT-P	COVER KIT, POLY, PT INNER (NOT SHOWN)

\* Recommended spare parts