

Replacement Parts for Morse Part # 3006-P Hydraulic Cylinder

Used on:

- 510 and 515 Series Vertical-Lift Drum Pourers with serial numbers 211429 to _____
- 611 Series MORStak Drum Rackers with serial numbers 211429 to _____
- 400A-96 Series 96" lift Hydra-Lift Karriers with serial numbers 0804 to ____ (MMYY)

Note: Stroke is 29" (73.7 cm)
Length Closed: 36-3/4" (93.3 cm) Center to Center
Length Fully Extended: 65-3/4" (167 cm) Center to Center

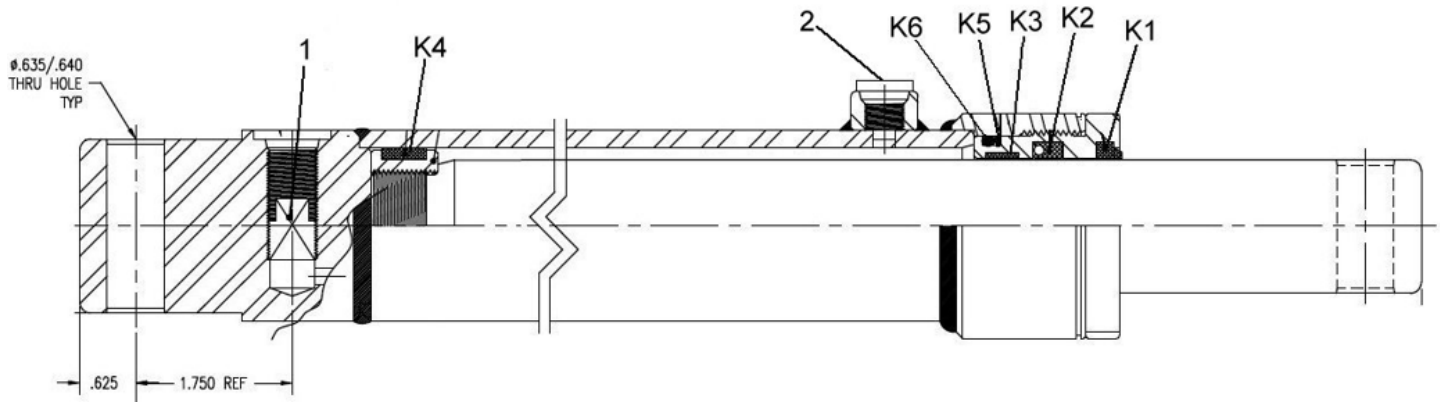
DIREKT FORCE

CYLINDER: 783D-P, 781-P, 782-P, 3006-P and 3008-P

Morse 6659-P KIT, SEAL, 1-1/2" CYL, DF

SEAL KIT				
K1	ROD WIPER:	1.500 D-Style		1 ea
K2	ROD SEAL:	18701500-312B POLYPAK		1 ea
K3	ROD WEAR RING:::	.375 UHMW x .062 WEAR STRIP		1 ea
K4	PISTON WEAR RING:	W1750-500-125 GFN		1 ea
S4	ORING - GLAND:	AS-132 N70 (PRE-783D-P)		1 ea
K5	ORING - GLAND:	AS-224 N70		1 ea
K6	ORING BACKUP:	BU-223 N90		1 ea

1	FLOW FUSE, 3.0 GPM, 783D-P DF	6660-P		1 ea
2	BLEEDER SCREW, SAE-4 PORT, DF	6681-P		1 ea



morsedrum.com



service@morsedrum.com



(315) 437-8475



103 Kuhn Rd.
Syracuse, NY, 13208 USA

