

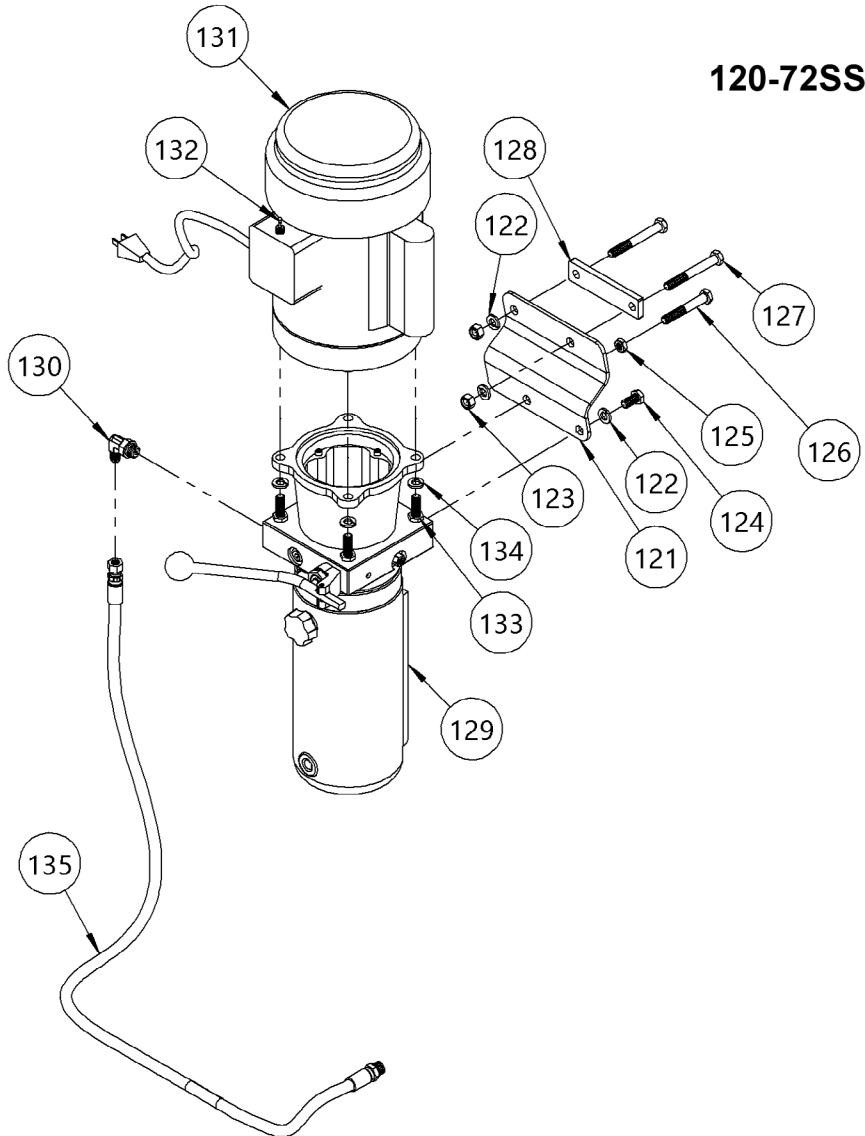
**Parts Diagram for AC Power Lift and Manual Tilt Components  
Used on Morse 72" Lift Stainless Steel Hydra-Lift Drum Pourers  
with serial # 0217 to \_\_ (MMYY)**



**IMPORTANT  
NOTE**

4-Digit serial numbers  
are simply the month  
& year of manufacture

Example: 0802 is  
August 2002



ITEM	PART#	DESCRIPTION	QTY.
121	3643SS-P	MOUNT, POWER PUMP, 400, SS	1
122	1474SS-P	WASHER, 3/8 SPLIT LOCK, SS	3
123	3981SS-P	NUT, 3/8-16 NYLON LOCK, SS	2
124	1657SS-P	HHCS, 3/8-16 X 3/4 SS	1
125	1165SS-P	NUT, 3/8-16 JAM SS	1
126	1315SS-P	HHCS, 3/8-16 X 2-3/4 SS	1
127	1521SS-P	HHCS, 3/8-16 X 3, SS	2
128	5848SS-P	BACK BRACKET, PUMP MOUNT, SS	1
129	M4509-P	HYD POWER PACK, -120, -124	1
130	3610-P	HYD FIT, MALE ELBOW, SAE	1
131	1062-P	MOTOR, 1HP 1PH TEFC 56C W CORD	1
132	3633-P	SWITCH, TOGGLE, MOMENTARY, 400	1
133	535SS-P	HHCS, 3/8-16 X 1-1/4, SS	4
134	1474SS-P	WASHER, 3/8 SPLIT LOCK, SS	4
138	3688-P	HYD HOSE ASM, 36"	1