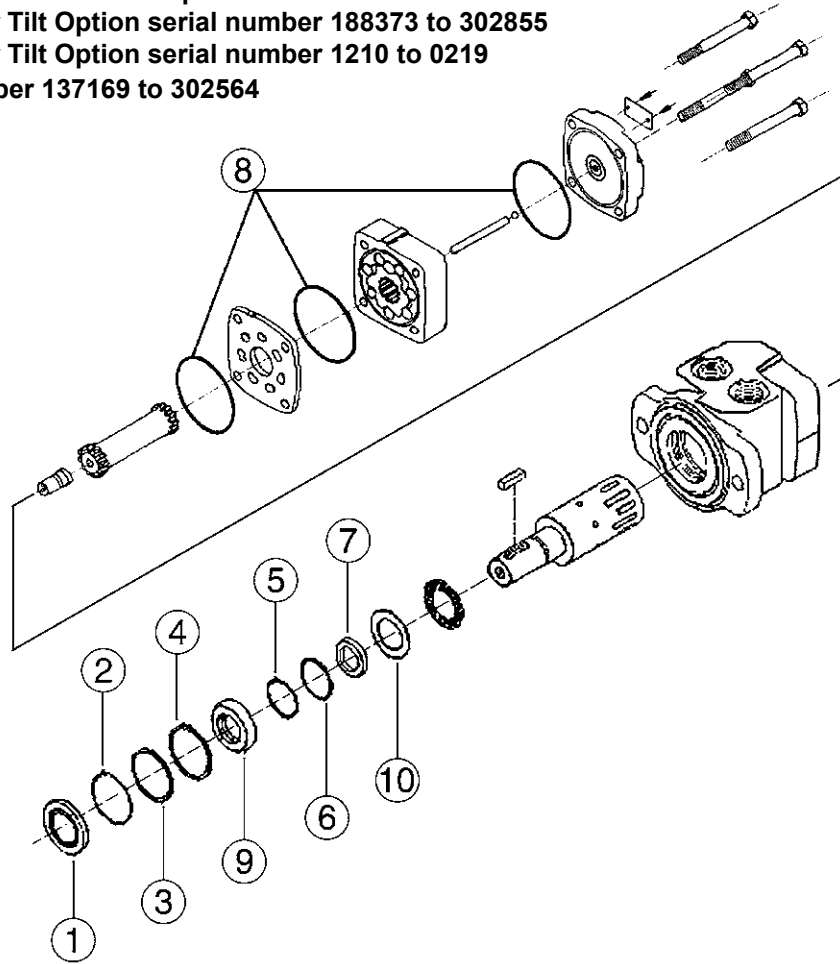


**Parts List and Diagram for Morse Part # 351-P Hydraulic Motor**

**Used on:**

- 400 and 405 Series with Power Tilt Option serial number 1084 to 0219
- 500 Series with Power Tilt Option serial number 188373 to 302855
- 410 Series with Power Tilt Option serial number 1210 to 0219
- 456 Series serial number 137169 to 302564



Kit # PS222001-P Includes the following parts		
ITEM	QTY.	DESCRIPTION
1	1	DUST SEAL
2	1	SPLIT WIRE RING
3	1	METAL BACKUP SHIM
4	1	HIGH PRESSURE SEAL
5	1	METAL BACKUP SHIM
6	1	TEFLON BACKUP SEAL
7	1	SHAFT SEAL
8	3	BODY SEALS
9	1	SEAL CARRIER
10	1	THRUST WASHER

Note: Individual parts cannot be purchased separately.