

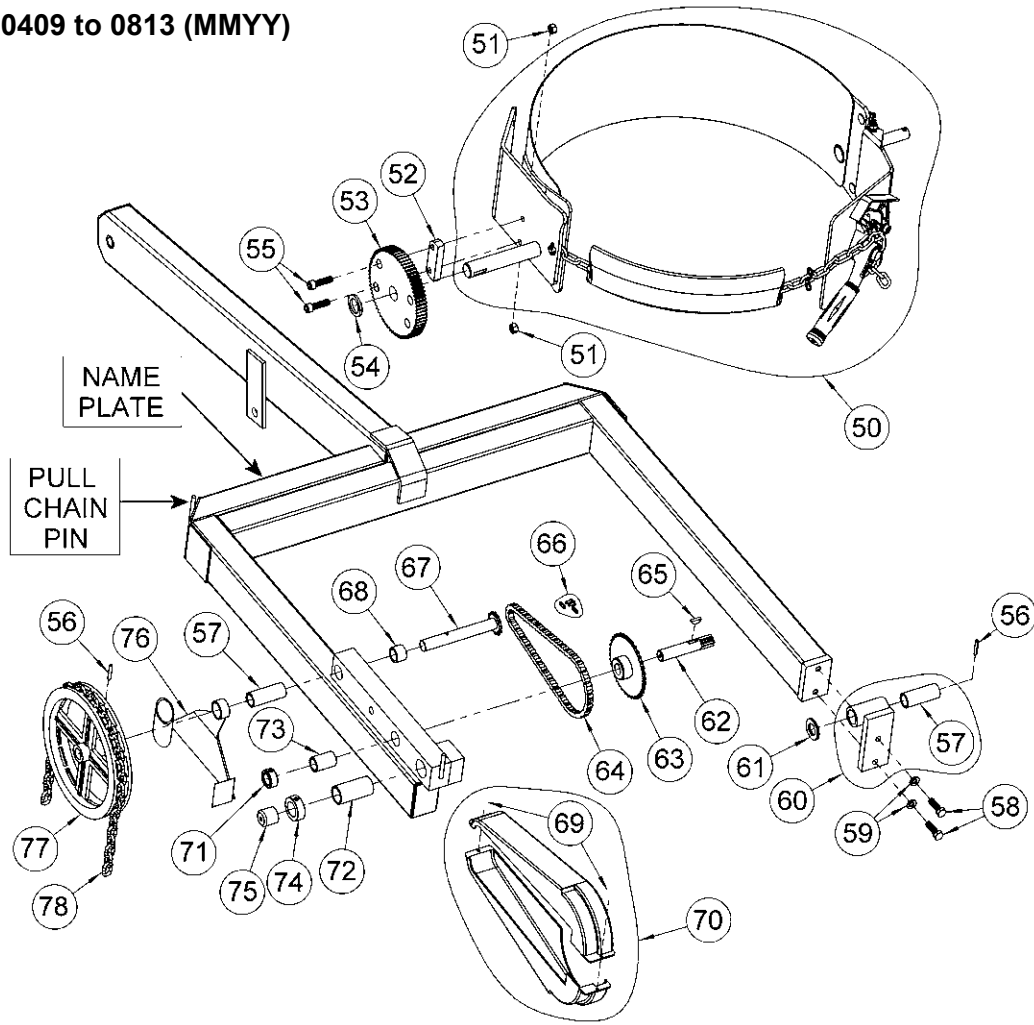
Morse Part # 4519-72SS-P Overhead Assembly used on
72" Stainless Steel Hydra-Lift Karriers with Manual Tilt
with Serial Number 0409 to 0813 (MMYY)



IMPORTANT NOTE

4-Digit serial numbers
are simply the month
& year of manufacture

Example: 0802 is
August 2002



ITEM	QTY.	PART #	DESCRIPTION
50	1	5000SS-P	SADDLE ASM, MORCINCH, MOR, SS
51	2	3981SS-P	NUT, 3/8-16 NYLON LOCK, SS
52	1	4473SS-P	SPACER, SPUR GEAR, MOR, SS
53*	1	23-P	GEAR, SPUR, 72T, 1" HOLE
54	1	29SS-P	SPACER, SPUR GEAR .15", SS
55	2	4370-P	SHCS, 3/8-16 X 1-3/8
56*	2	64SS-P	ROLL PIN, 3/16 X 1-1/4, SS
57*	2	19-P	BEARING, 3/4" ID X 2-1/2"
58	2	535SS-P	HHCS, 3/8-16 X 1-1/4, SS
59	2	1474SS-P	WASHER, 3/8 SPLIT LOCK, SS
60*	1	3849BSS-P	SLIDING IDLER W/ BEARING, SS
61	1	55SS-P	WASHER, 3/4 SAE FL 1-1/2 OD SS
62*	1	14-P	GEAR, PINION, 7 TOOTH
63*	1	13-P	SPROCKET #35 36T, 3/4" BORE
64*	1	12-P	CHAIN, ROLLER, #35 W/ M LINK

ITEM	QTY.	PART #	DESCRIPTION
65*	1	735SS-P	KEY, WOODRUFF, SIZE 9, T304SS
66	1	795-P	LINK, MASTER, #35 CHAIN
67*	1	1302SS-P	SHAFT, SS, W/ 12T SPROCKET
68*	1	1411SS-P	SPACER, SHAFT W/ 12T, SS
69	2	2182-P	WIRE / CABLE TIE, 4-33/64 (NOT SHOWN)
70	1	4285-P	COVER SET, 30:1 GEARS, REG
71	1	15SS-P	COLLAR, 3/4" ID, SS
72*	1	18-P	BEARING, 1" ID X 2-1/2"
73*	1	7-P	BEARING, 3/4" ID X 1-1/2"
74	1	16SS-P	COLLAR, 1" ID, SS
75	1	4235-P	CAP, PLASTIC, DRIVE SHAFT
76*	1	1304SS-P	GUIDE, POCKET CHAIN WHEEL, SS
77*	1	1303SS-P	CHAIN WHEEL, STEEL-IT, SS
78*	1	3-72-P	CHAIN, PULL, POCKET, 7' LENGTH

* Recommended spare parts.