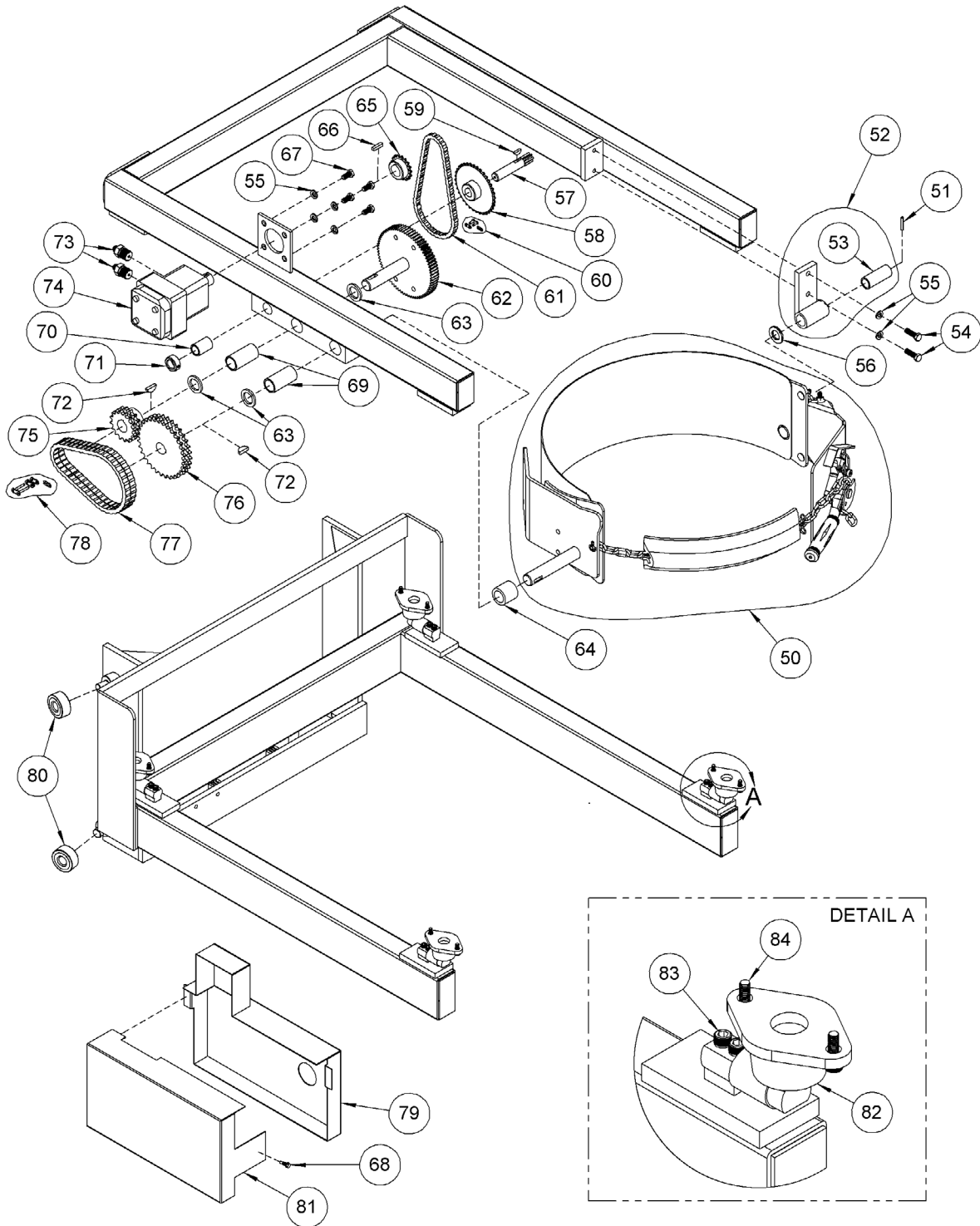


Parts List and Diagram

for Morse Part # 4529SS-P Carriage Assembly used on
 Stainless Steel 515SS and 525SS Series Power Tilt Scale-Equipped Vertical-Lift Drum Pourers
 with Serial number 400000 to _____



Parts List and Diagram

for Morse Part # 4529SS-P Carriage Assembly used on
Stainless Steel 515SS and 525SS Series Power Tilt Scale-Equipped Vertical-Lift Drum Pourers
with Serial number 400000 to _____

ITEM	QTY.	PART #	DESCRIPTION
50	1	5000SS-P	SADDLE ASM, MORCINCH, MOR, SS
51*	1	64SS-P	ROLL PIN, 3/16 X 1-1/4, SS
52*	1	3849BSS-P	BEARING ASM, SLIDING IDLER, SS
53	1	19-P	BEARING, 3/4" ID X 2-1/2"
54	2	535SS-P	HHCS, 3/8-16 X 1-1/4, SS
55	6	1474SS-P	WASHER, 3/8 SPLIT LOCK, SS
56	1	55SS-P	WASHER, 3/4 SAE FL 1-1/2 OD SS
57*	1	14-P	GEAR, PINION, 7 TOOTH
58*	1	13-P	SPROCKET #35 36T, 3/4" BORE
59*	1	735-P	KEY, WOODRUFF, SIZE 9, ASA606
60	1	795-P	LINK, MASTER, #35 CHAIN
61*	1	3462-P	CHAIN, ROLLER, #35 60 PITCH
62*	1	27-P	SPUR GEAR W/ 1" SHAFT, HD TYPE
63	3	29-P	SPACER, SPUR GEAR .15"
64	1	4372-P	SPACER, HD DRIVE SHAFT 1.4"
65*	1	1116-P	SPROCKET #35 17T, 1" BORE
66*	1	6005-P	KEY, 1/4" X 1", SPUR GEAR
67	4	1657SS-P	HHCS, 3/8-16 X 3/4 SS
68*	14	193-P	SCREW, 12-14 X 3/4 3 PT TEK
69*	2	18D-P	BEARING, 1" ID X 2-1/2"
70*	1	7D-P	BEARING, 3/4" ID X 1-1/2"
71	1	15SS-P	COLLAR, 3/4" ID, SS
72*	2	736-P	KEY, WOODRUFF, SIZE 15, ASA808
73	2	2120-P	HYD FIT, MALE CONNECTOR, 400
74	1	6318-P	MOTOR, HYDRAULIC HYD, 400, 456
75*	1	30-P	SPROCKET #40D 16T, 1" BORE
76*	1	32-P	SPROCKET #40D 32T, 1" BORE
77*	1	31-P	CHAIN, ROLLER, #40D W/ M. LINK
78	1	796-P	LINK, MASTER, #40D CHAIN
79	1	4295SS-P	COVER, INSIDE, SCALE PT, SS
80	4	5208-P	BEARING, 3/4 ID, SEALED
81	1	4294SS-P	COVER, OUTSIDE, SCALE PT, SS
82	4	3243A-P	LOAD CELL, SCALE, T, N
83	8	3890SS-P	SHCS, 1/4-28 X 1-1/2, SS
84	8	3467SS-P	SHCS, 1/4-28 X 3/4, SS

* Recommended spare parts