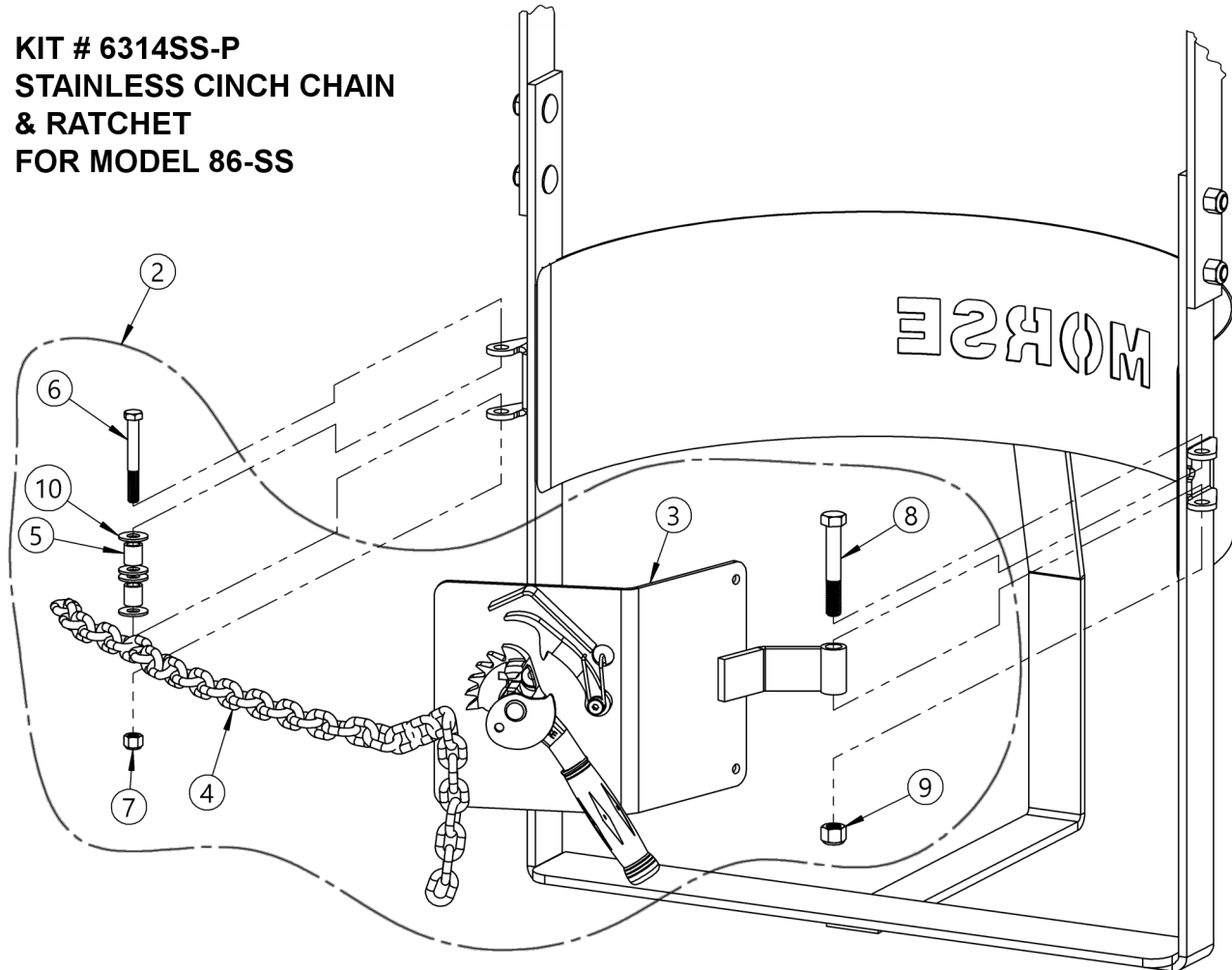


**KIT for Customer to Install Stainless Steel Cinch Chain & Ratchet on EXISTING 86-SS. Includes powder coat ratchet handle. Replaces standard web strap.**

**KIT # 6314SS-P**  
**STAINLESS CINCH CHAIN**  
**& RATCHET**  
**FOR MODEL 86-SS**



ITEM NO.	PART NUMBER	DESCRIPTION	QTY.
2	6314SS-P	KIT, CHAIN, 86-SS, FI	1
3	6306SS-P	RATCHET PLATE CPT, 86-SS CHAIN	1
4	4408-P	CHAIN, 9/32 CINCH, SS, 40 LINK	1
5	1968SS-P	LATCH SPACER, 90-SS/ HINGE 7SS	2
6	1521SS-P	HHCS, 3/8-16 X 3, SS	1
7	3981SS-P	NUT, 3/8-16 NYLON LOCK, SS	1
8	6272SS-P	HHCS, 1/2-13 X 3-1/4" SS	1
9	810SS-P	NUT, 1/2-13 NYLON LOCK, SS	1
10	1166SS-P	WASHER, 3/8 USS, SS	4

