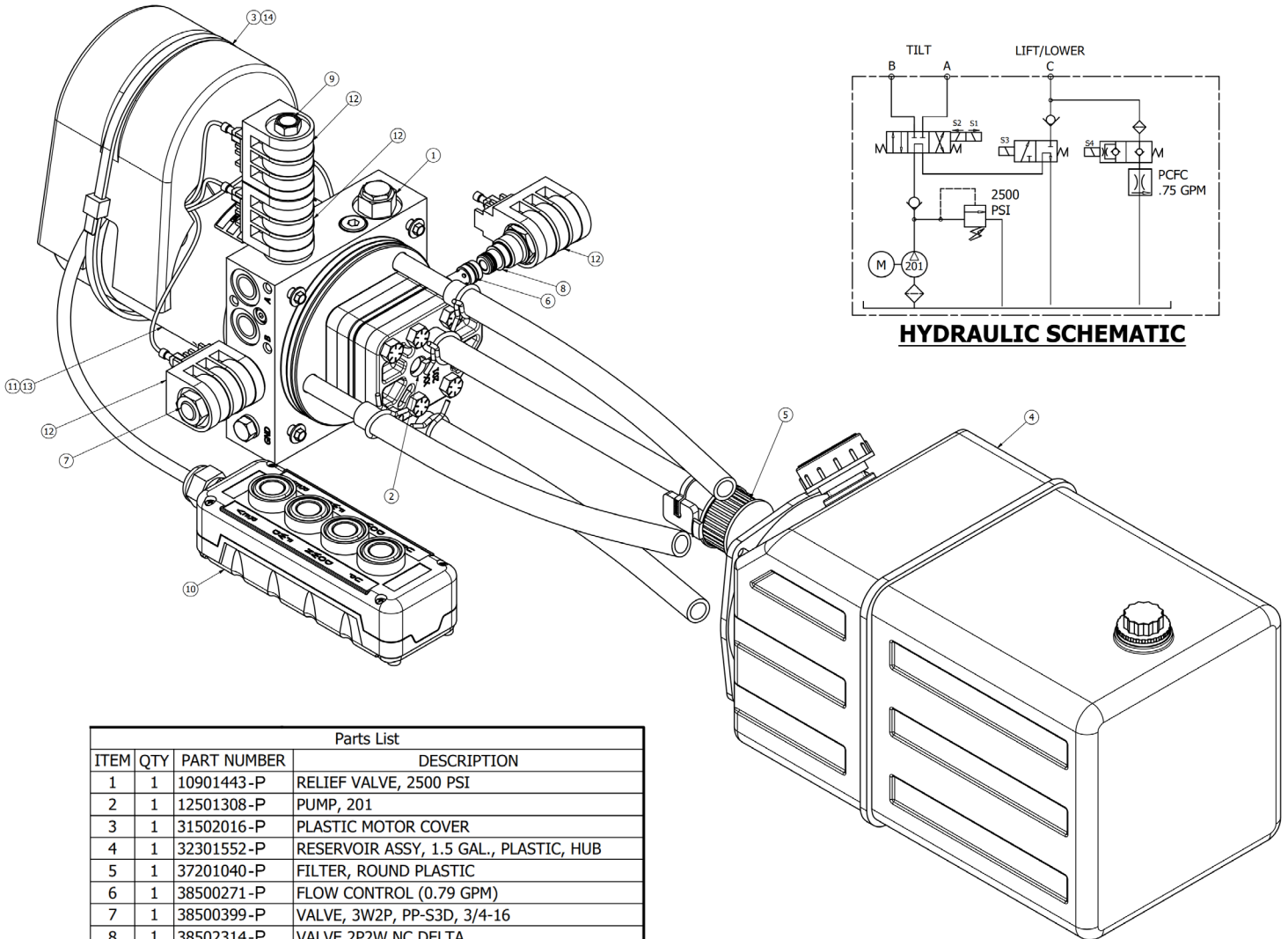


**Morse Pump Power Pack - Part Number MTE3500-P**  
**Used on units with Serial Number 416711 to \_\_\_\_\_**



| Parts List |     |             |  |
|------------|-----|-------------|--|
| ITEM       | QTY | PART NUMBER | DESCRIPTION                            |
| 1          | 1   | 10901443-P  | RELIEF VALVE, 2500 PSI                 |
| 2          | 1   | 12501308-P  | PUMP, 201                              |
| 3          | 1   | 31502016-P  | PLASTIC MOTOR COVER                    |
| 4          | 1   | 32301552-P  | RESERVOIR ASSY, 1.5 GAL., PLASTIC, HUB |
| 5          | 1   | 37201040-P  | FILTER, ROUND PLASTIC                  |
| 6          | 1   | 38500271-P  | FLOW CONTROL (0.79 GPM)                |
| 7          | 1   | 38500399-P  | VALVE, 3W2P, PP-S3D, 3/4-16            |
| 8          | 1   | 38502314-P  | VALVE 2P2W NC DELTA                    |
| 9          | 1   | 38502324-P  | VALVE 3P4W TANDEM CENTER               |
| 10         | 1   | 38901281-P  | REMOTE SWITCH, 4 BUTTON                |
| 11         | 1   | 39002155-P  | 12VDC START SWITCH, TROMBETTA          |
| 12         | 4   | 39002326-P  | COIL 10 VDC 1SP POWER SERIES           |
| 13         | 1   | 39200571-P  | 12 VDC MOTOR, LETRIKA                  |
| 14         | 1   | 69430014-P  | NYLON TIE                              |



Morse Pump Power Pack - Part Number MTE3500-P  
Used on units with Serial Number 416711 to \_\_\_\_\_

