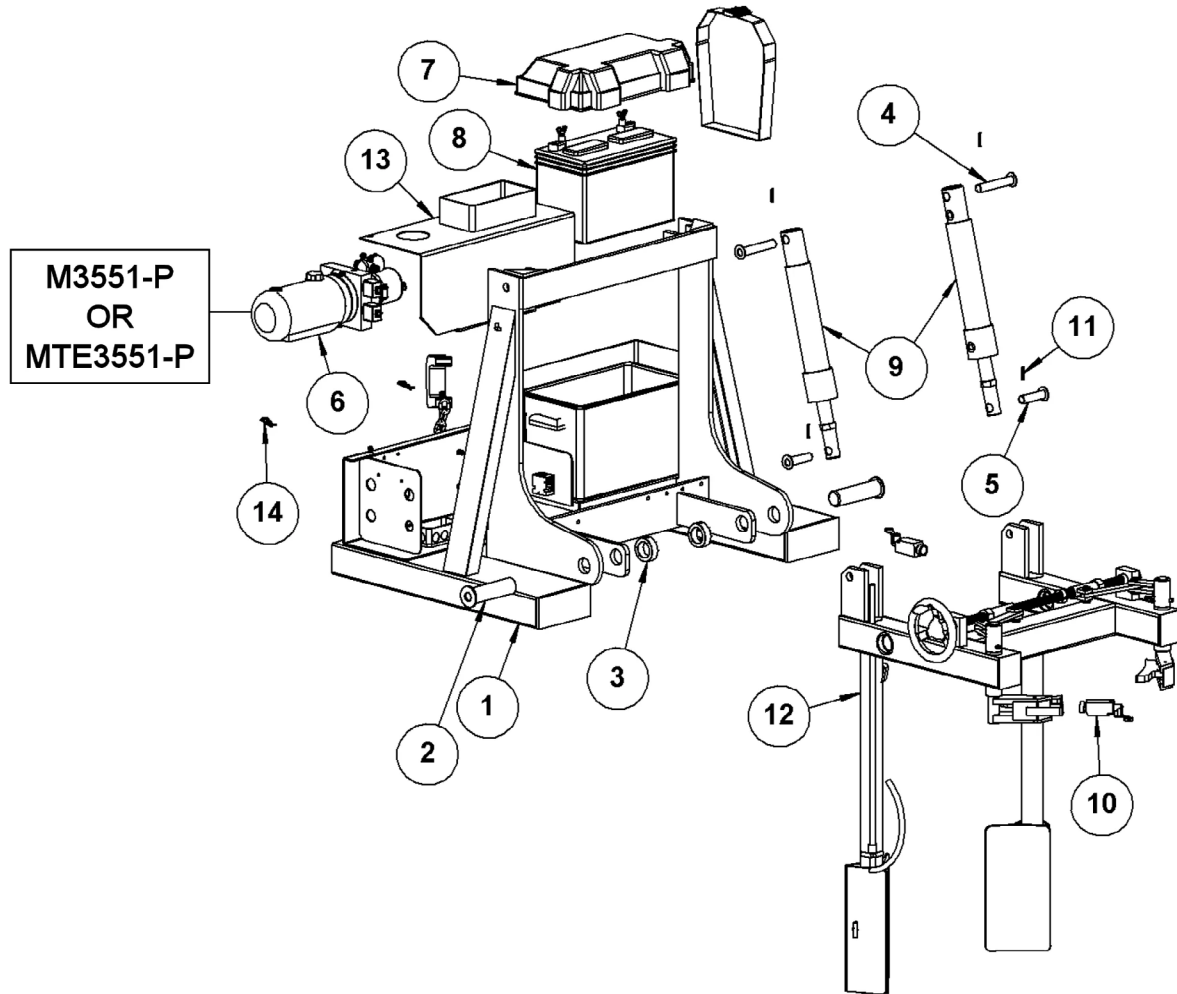


**Parts List and Diagram for Morse Model # 289F MORStak™ Fork Mounted Drum Racker
with Serial number 415288 to _____**



ITEM NO.	PART NUMBER	DESCRIPTION	QTY.
1	5591-P	BASE WELD, 289F	1
2	3048-P	PIN, DRUM GRAB, MORSTAK 600	2
3	570-P	COLLAR, 1-1/2" ID	2
4	5596-P	PIN, GROOVE, 3/4 X 4.00 C	2
5	5585-P	PIN, GROOVE, 3/4 X 2.61 C	2
6	M3551-P (SHOWN)	HYD POWER PACK, 12V DC, BP	1
6	MTE3551-P	HYD POWER PACK, A-BP, 12V MTE	1
7	1190-P	BATTERY BOX CPT, 400, 285A-BP	1
8	388-P	BATTERY, 12V DC	1
9	5522K-P	CYLINDER, 2 X 10 DBL ACT, KFP	2
10	3190-P	SWITCH, DC LIMIT, 600	2
11	5330-P	SNAP RING, EXT, HD, .078, 3/4"	4
12	3955-P	DRUM GRAB ASM, MORSTAK, 600	1
13	2508W-P	COVER WELD, POWER UNIT, 289F	1
14	913-P	HAIR PIN, PIN RETAINER, 287	2