

Parts List and Diagram for Base Assembly Part # 30132-P
for 510 Series Vertical-Lift Drum Pourers
with Serial Number 272464 to _____

ITEM	MODEL SUFFIX	QTY.	PART #	DESCRIPTION
6		2	5347-P	SNAP RING, EXT, 5/8"
7		1	3294-P	HANDLE WELD, FLOOR LOCK VERT
8		1	1840-P	KICK STAND TUBE, 201 SERIES
9		1	718-P	PUSH NUT, 1/2"
10		2	716-P	PUSH NUT, 3/8"
11		1	2636-P	3/8 PIN X 1-1/2" 7X, 83, VERT
12		1	3297-P	PUSH TUBE WELD FLOOR LOCK VERT
13		1	3302-P	FLEX COUPLING, FLOOR LOCK VERT
14		1	3169-P	SPRING, COMP, FLOOR LOCK VERT
15		1	3303-P	STAND WELD, FLOOR LOCK VERT
16		1	91-P	1/2 - 13 FIN HEX NUT
17 *		1	3171-P	PAD, FLOOR LOCK, VERT LIFT
18		2	83-P	HANDLE GRIP, 1-1/4 X 4-1/2
19		4	5580-P	SHCS, 10-32 X 1-1/4
20		4	5581-P	NUT, 10-32 NYLON LOCK NUT
21		2	3046-P	ANCHOR, LEAF CHAIN ADJUST VERT
22		4	1545-P	7/8 - 9 FIN HEX NUT
23		2	149-P	3/8 - 16 FIN HEX NUT
24		2	1474-P	WASHER, 3/8 SPLIT LOCK
25		8	1169-P	3/8 - 16 REV HEX LOC NUT
26 *		2	3049-P	CASTER, SWIVEL, 6" VERT LIFT
27		8	1572-P	3/8 - 16 X 1" HHCS GR 2
28		1	5348-P	CLEVIS PIN, GROOVE, 5/8 X 3
29		1	3573-P	HYD HOSE ASM, VERT, CYL, 48"
30		1	3610-P	HYD FIT, MALE ELBOW, SAE
31		1	3006-P	CYLINDER, 1.5 X 29, 510 515 611
32		2	1634-P	NUT, 5/16-18 WHIZ LOCK
33		2	5329-P	AXLE, GROOVE, 3/4 X 3.35"
34 *		2	87-P	WHEEL, MORTUF, 8", 3/4" BRG
35 *		2	5330-P	SNAP RING, EXT, HD, .078, 3/4"
36		1	5892W-P	CAP WELD, CLEVIS LIFT CYL 510
37		2	15-P	COLLAR, 3/4" ID
39	110, 114, 115	1	5101H-P	PULLEY, HOSE/ WIRE, SEALED
40	110, 114, 115	2	5905-P	HYD HOSE ASM, 102", 1X PT ITA
41		2	3473-P	CHAIN, LIFT, 1/2" LEAF 510 611
42		2	5101L-P	PULLEY, LEAF CHAIN, SEALED
44		1	5126-P	CARRIAGE WELD, ITA2
45		4	5208-P	BEARING, 3/4 ID, SEALED
46		1	5817-P	HYD HOSE ASM, 26", PT ITA
47		1	5818-P	HYD HOSE ASM, 28", PT ITA
* Recommended Spare Parts				

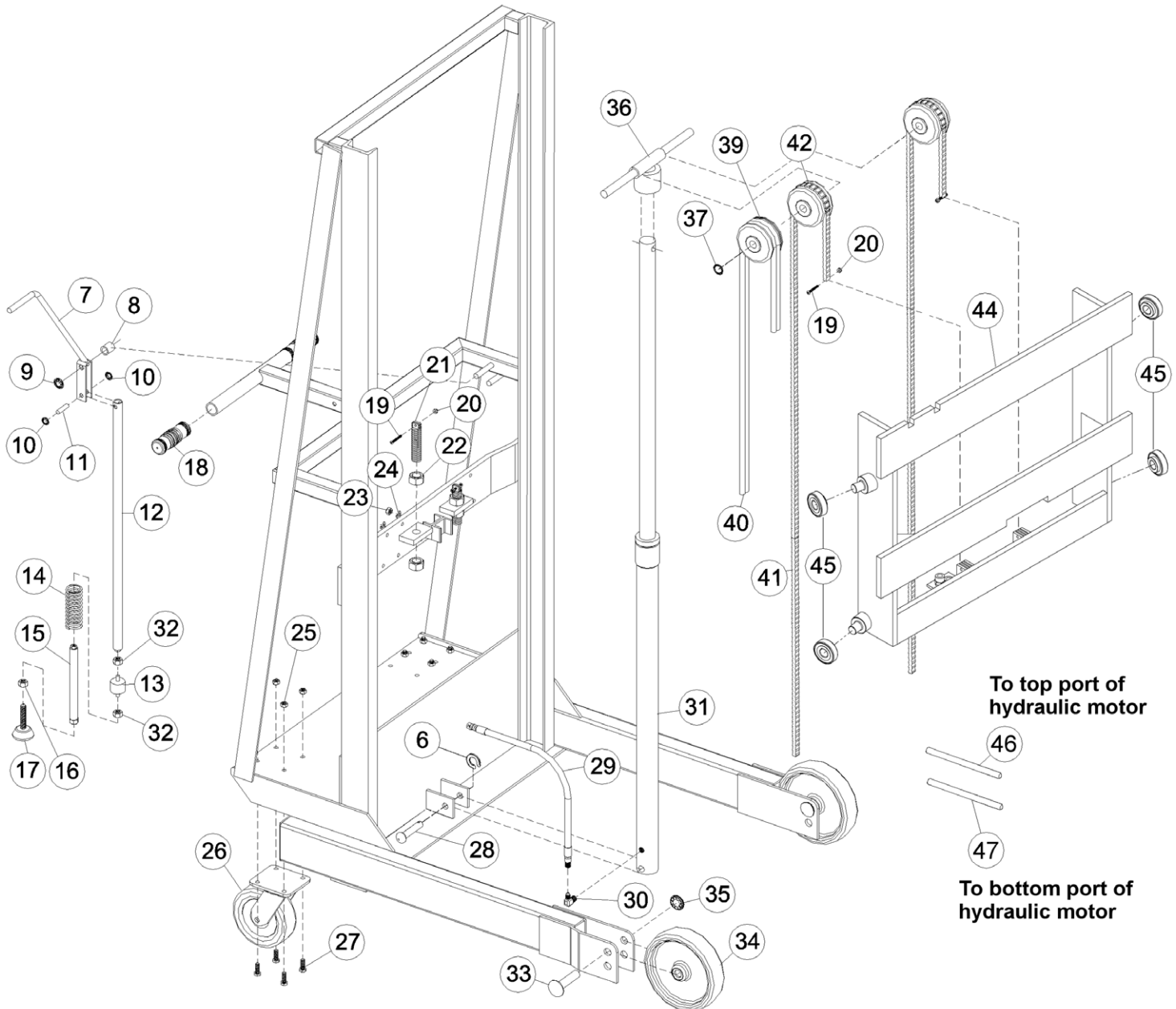
**Parts List and Diagram for Base Assembly Part # 30132-P
for 510 Series Vertical-Lift Drum Pourers
with Serial Number 272464 to _____**

For replacement parts, please contact your Morse dealer.

When ordering parts, please specify:

- Part number and description
- Model number
- Serial number

Find model number and serial number on metal name plate attached to frame.



To top port of hydraulic motor

46

47

To bottom port of hydraulic motor