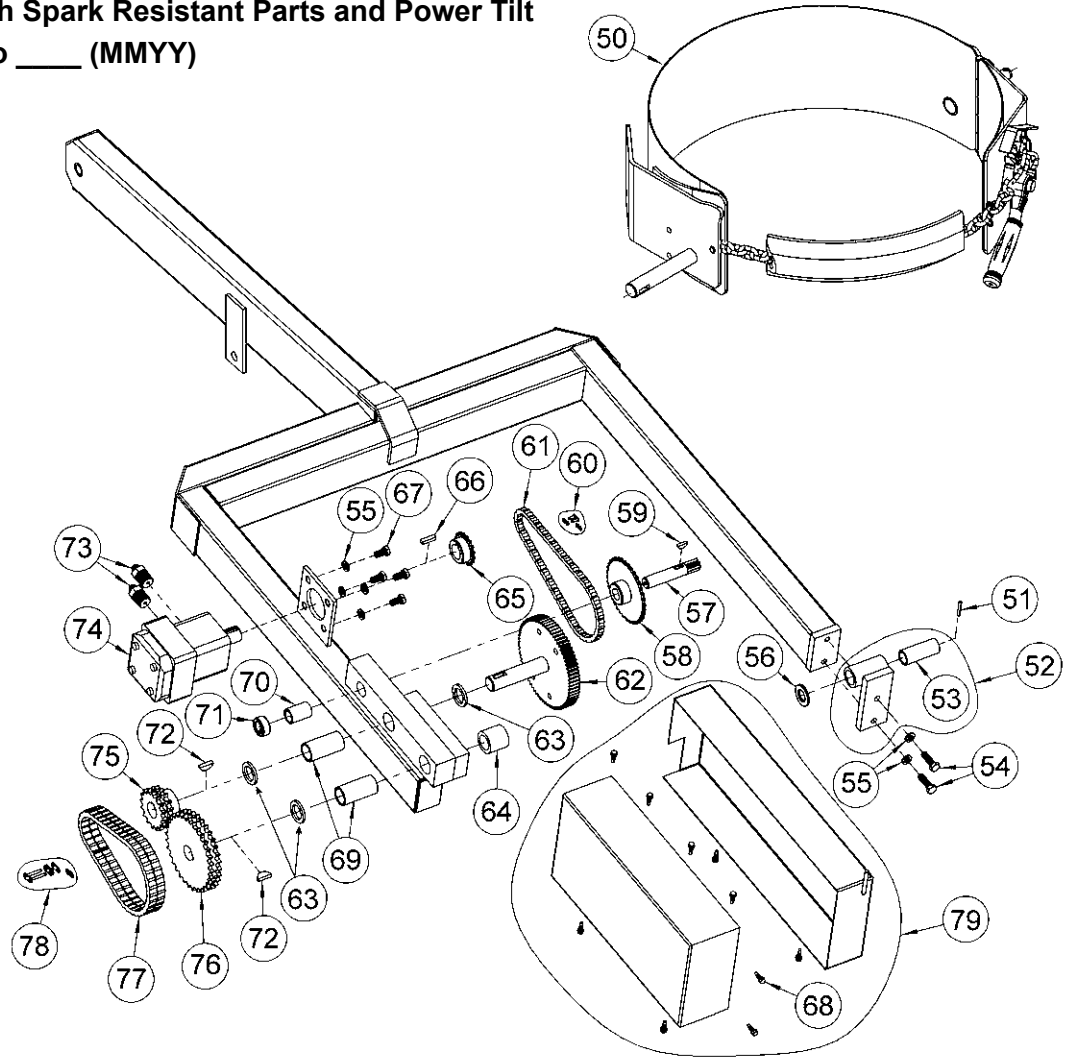


Morse Part # 4521M-96-P Overhead Assembly used on
96" Hydra-Lift Karriers with Spark Resistant Parts and Power Tilt
with Serial Number 1214 to ____ (MMYY)

IMPORTANT NOTE

4-Digit serial numbers are simply the month & year of manufacture

Example: 0802 is August 2002



ITEM	QTY.	PART #	DESCRIPTION
50	1	5000M-P	SADDLE ASM, MORCINCH, MOR, SR
51*	1	64-P	ROLL PIN, 3/16 X 1-1/4
52*	1	3849B-P	BEARING BLOCK, SLIDING IDLER
53	1	19-P	BEARING, 3/4" ID X 2-1/2"
54	2	535-P	HHCS, 3/8-16 X 1-1/4 GR5
55	6	1474-P	WASHER, 3/8 SPLIT LOCK
56	1	55-P	WASHER, 3/4 SAE FL 1-1/2 OD
57*	1	14-P	GEAR, PINION, 7 TOOTH
58*	1	13-P	SPROCKET #35 36T, 3/4" BORE
59*	1	735-P	KEY, WOODRUFF, SIZE 9, ASA606
60	1	795-P	LINK, MASTER, #35 CHAIN
61*	1	12-P	CHAIN, ROLLER, #35 W/ M LINK
62*	1	27-P	SPUR GEAR W/ 1" SHAFT, HD TYPE
63	3	29-P	SPACER, SPUR GEAR .15"
64	1	4372-P	SPACER, HD DRIVE SHAFT 1.4"

ITEM	QTY.	PART #	DESCRIPTION
65*	1	1116-P	SPROCKET #35 17T, 1" BORE
66*	1	2656-P	KEY, SQUARE, 1/4 X 1"
67	4	1657-P	HHCS, 3/8-16 X 3/4 GR2
68*	10	193-P	SCREW, TEK, 12-14 X 3/4" 3 PT
69*	2	18-P	BEARING, 1" ID X 2-1/2"
70*	1	7-P	BEARING, 3/4" ID X 1-1/2"
71	1	15-P	COLLAR, 3/4" ID
96*	2	736-P	KEY, WOODRUFF, SIZE 15, ASA808
73	2	2120-P	HYD FIT, MALE CONNECTOR, 400
74	1	351-P	MOTOR, HYDRAULIC HYD, 400, 456
75*	1	30-P	SPROCKET #40D 16T, 1" BORE
76*	1	32-P	SPROCKET #40D 32T, 1" BORE
77*	1	31-P	CHAIN, ROLLER, #40D W/ M. LINK
78	1	796-P	LINK, MASTER, #40D CHAIN
79	1	1049-P	KIT, SQ COVER, 400 PT

* Recommended spare parts.