



The Specialist In Drum Handling Equipment

4-WHEEL DRUM TRUCKS 160 Series

Innovative 4-Wheel Drum Trucks

>> [Click to Watch Video](#) <<

160 Series 4-Wheel Drum Trucks

Ergonomic and versatile drum trucks stand alone on 4 wheels.

Transport and dispense from drum, then store upright.

- Ergonomic, extremely versatile drum trucks
- Designed and built for safety
- Carry full weight of drum during transport
- Move and turn easily on four 8" MORTUF polyolefin roller-bearing wheels
- Forged steel toe prongs
 - Wide and rounded to protect drum
 - Specially shaped to ease pick-up of drum
- Hands are protected within U-shaped handle
- Capacity: 1,000 lb. (454 kg)
- All models ship fully assembled
- Handle 30, 55 or 85 gallon steel drum, and most rimmed plastic and fiber drums



Model 160-SS made of type 304 stainless steel



Model 160
Model 160M with Spark Resistant Parts

Use the Chime Hook to Extend the Support Prop

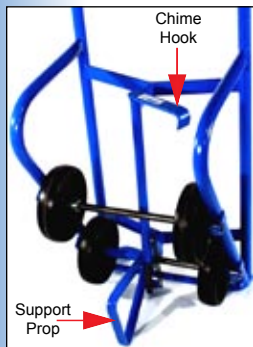


Engage the chime hook on the drum rim as shown here to assist in loading the drum.

Extend the support prop to stabilize the hand truck in horizontal position to dispense from a drum, as shown bottom right.

Push the chime hook down to extend the support prop and stabilize the drum truck in upright position. Raise the chime hook to retract the support prop, and engage the drum rim.

Note: Model 160M has a chime hook, but not a support prop.



Move drums on and off pallets

Roll a drum onto pallet. . .

. . . or tilt on edge of pallet. Extra long handle provides leverage for control.



Model 160-WP
for use on rough terrain

Dispense drum with ease

When pouring a drum the frame and extendable support prop stabilize the truck in horizontal position. The truck also stands alone with extendable support prop.



Model 160-WP-SS
Stainless Steel Drum Truck
for use of rough terrain

Drum Size Range		
	Minimum	Maximum
Diameter	14" (35.6 cm)	28" (71.1 cm)
Height	31" (78.7 cm)	41" (104.1 cm)

Add Option 5058-P for 55-gallon rimless plastic drum, or for a smaller drum

Models with 10" pneumatic wheels mounted outside the frame are designed for traveling over rough terrain or grating. Model 160-WP-SS is made of type 304 stainless steel.

MORSE Mfg. Co., Inc. • 727 West Manlius St. • P.O. Box 518 • East Syracuse, NY 13057-0518

Phone: (315) 437-8475 • Fax: (315) 437-1029

Email: info@MorseDrum.com

Website: MorseDrum.com

Please contact your Morse dealer

Model #	Description	Ship Wt.	Ship Dimensions
160	4-Wheel Drum Truck	65 Lb.	L 63" W 20" H 20"
160M	4-Wheel Drum Truck with Spark Resistant Parts	63 Lb.	L 63" W 20" H 20"
160-SS	4-Wheel Drum Truck, Type 304 Stainless Steel Construction	63 Lb.	L 64" W 20" H 20"
160-WP	4-Wheel Drum Truck with 10" Pneumatic Wheels	85 Lb.	L 64" W 29" H 20"
160-WP-SS	4-Wheel Drum Truck with 10" Pneumatic Wheels, T304SS	85 Lb.	L 64" W 29" H 20"
Option #	Description	Ship Wt.	Ship Dimensions
5058-P	Kit, Strap for rimless plastic drum or smaller drum	2 Lb.	L8" W7" H3"

Optional Strap - Kit # 5058-P

The Strap Option allows you to handle your a shorter drum such as the 30-gallon fiber drum shown at left, or a rimless plastic drum as shown in sequence of images below, with any Morse 4-Wheel Drum Truck.



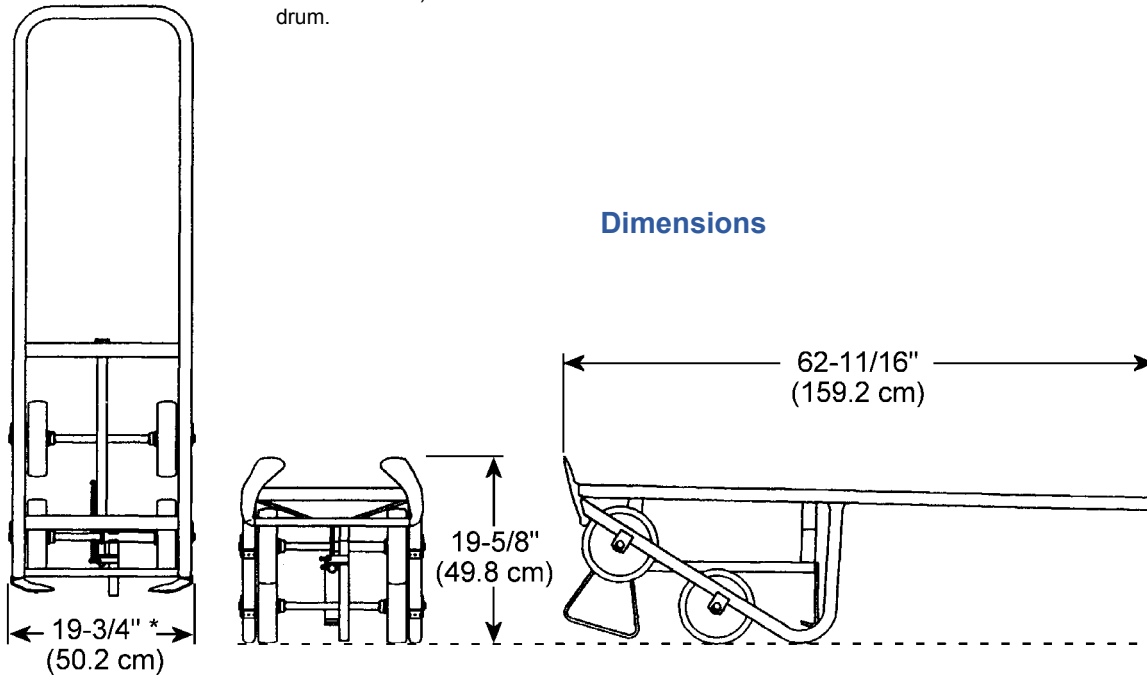
Secure optional strap (shown on model 160-SS) around a rimless drum.



Strap assists in pulling your drum over onto the drum truck.



Dimensions



* 27-1/4" (69.2 cm) for model 160-WP or 160-WP-SS with wheels mounted outside frame.

Please contact your Morse dealer

MorseDrum.com

Copyright 2011 - Morse Mfg. Co., Inc.

Spec Sheet F160

(Updated June 23, 2011 3:43 PM)