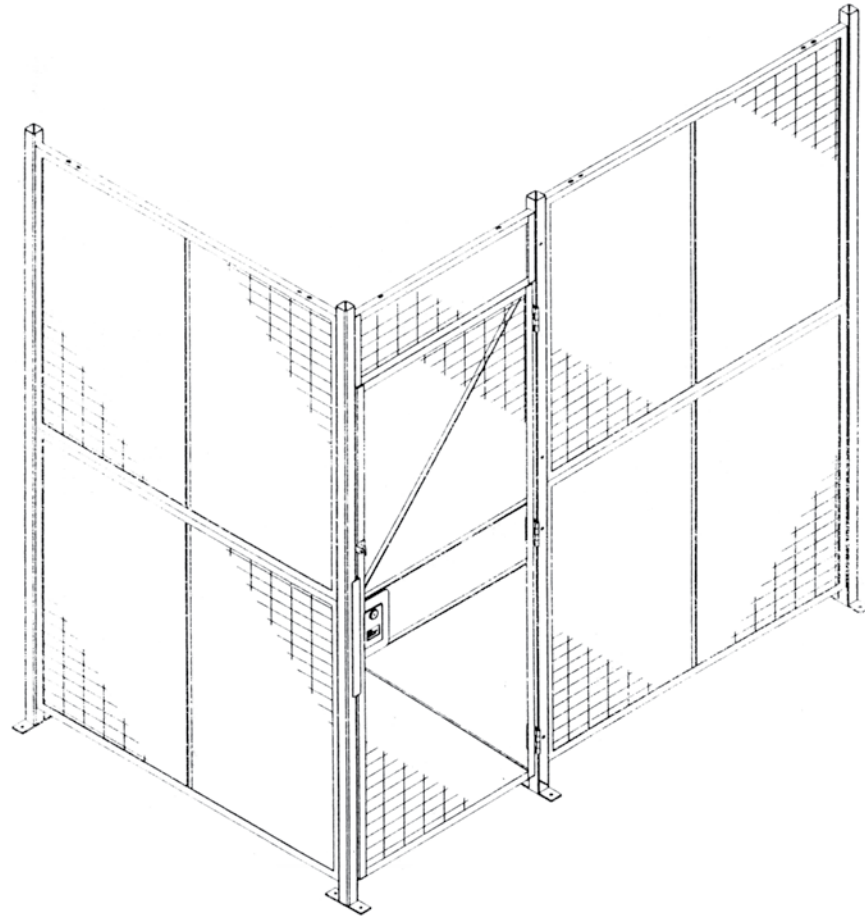


**Contents**

	Page
General Information. . . . .	2
Panels & Posts. . . . .	3
Barrier Hinge Door. . . . .	4
Hinge Door Hardware. . . . .	5 - 6



## General Information

The following General Installation Instructions should be used as a guide for installing partitions. Because of the varying job site conditions, and infinite layout possibilities, there is no “recommended” way to install the product. **Good common sense and proper safety precautions must be used during installation.** The product may be unstable during installation; proper temporary bracing should be used until all hardware is tightened and the product is properly anchored to the floor. Permanent field bracing may be installed at installer’s/owner’s discretion. Install problems arising from job site conditions should be referred to a professional installer.

### TOOLS RECOMMENDED

Chalk line & marker	Drill with adjustable clutch and 3/8” nut driver	(2) Step ladders if installing ceiling
Tape Measure	Hammer Drill with 3/8” masonry bit	(2) C clamps or Vise-Grip® type clamps
Level	(2) 9/16” open end wrenches and/or	#1 & #2 Phillips Screw Driver
Hacksaw	(2) 9/16” deep socket ratchets	1/2” deep socket or 1/2” open end wrench

### SELF DRILLING SCREW INSTALLATION RECOMMENDATIONS

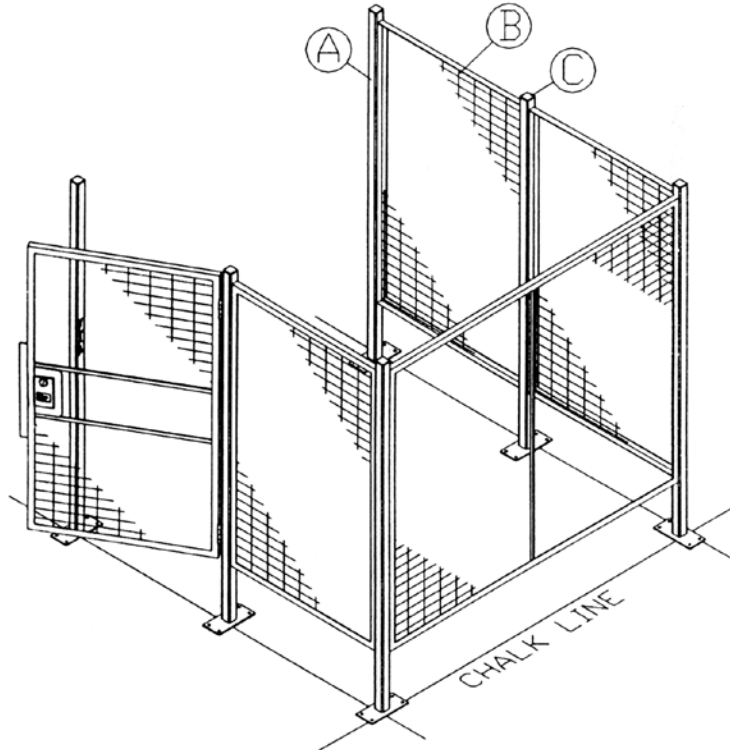
When installing self drilling screws use a standard variable speed screw gun equipped with an adjustable clutch or depth locating nose piece. Take care not to over tighten or strip, set drill accordingly. **DO NOT USE IMPACT TYPE GUN WHEN INSTALLING SELF DRILLING SCREWS.** Securely clamp component parts in place before attaching with self drilling screws.

### INSTALLER TIPS

1. Installation is best accomplished with a two or three person crew.
2. Before starting, review all installation instructions pertinent to your layout (i.e. panels, doors, etc.)
3. “Face Side” of the partition is the outside, where nuts and bolts will NOT be visible or accessible. “Inside” of the partition has one leg of the panel frame pointing in. Assembly hardware will be on the inside of most layouts.
4. Panels install horizontally between posts, 2” mesh opening should be parallel with floor.
5. Identify all panels by part number. If possible stage parts where they will be installed.
6. Special size panels have metal tags on the mesh and are referenced on drawing.
7. Make sure all posts are installed plumb (vertically perpendicular to floor). Shims (not provided) may be necessary.
8. Use a 3-1/4” spacer block (not provided) to support far end of panel during setup.
9. Begin installation process at a building wall, end or corner of layout.
10. Gauge hinge door opening by width of transom panel.
11. Gauge slide door opening by door width (e.g. 48” between posts for 4’ wide slide door). When necessary, slide door openings may be narrowed to adjust length of adjacent run.
12. Standard hinge, double hinge, and slide doors are universal and may be installed inside or outside swing, left or right hand. Dutch and special doors are not universal and must be installed as shown out on drawing.
13. Installer should cut off any bolts or hardware protruding into aisle ways or around door openings.
14. Installer should touch up all nicks, marks, and scratches with touch up paint provided.

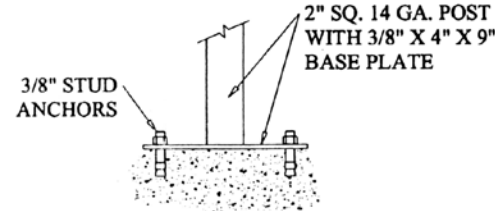
## Installation Instructions for Enclosure with Safety Interlock

Physical Barrier Height: 6' 2"



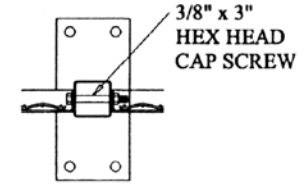
### PHYSICAL BARRIER 6' 2" HEIGHT PANEL & POST INSTALLATION

1. Use a chalk line to outline the partition layout on the floor.
  - a. Out to out dimensions shown on drawing are to face side of posts.
  - b. Post base plates project beyond outline of partition.
2. Lag end post (A) to floor per Fig. 1 using anchors provided.
3. Mount panel (B) to post (A)
  - a. Per Fig. 2 for straight run using two 3/8" x 3" straight bolts, or
  - b. Per Fig. 3 for 90 degree corner using two 3/8" corner bolts, or
  - c. Per Fig 4 for adjustable angle, mount hinge with 3/8" x 3" straight bolts or
  - d. If mounting directly to building wall skip this step.
  - e. **Note: Panels install horizontally; 2" mesh opening parallel with floor.**
4. Attach opposite end of panel (B) to second post (C)
  - a. Per Fig 2 for run post, or
  - b. Per Fig 3 for corner post.
5. Lag post to floor using anchors provided



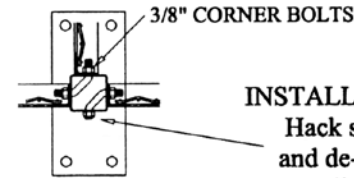
TYPICAL POST  
TO FLOOR CONNECTION

Fig.1



TYPICAL RUN  
POST CONNECTION

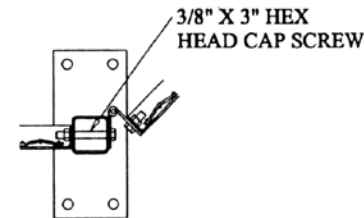
Fig.2



TYPICAL CORNER &  
TEE POST CONNECTION

Fig.3

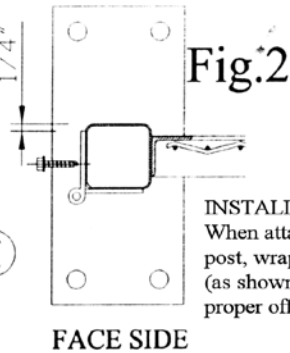
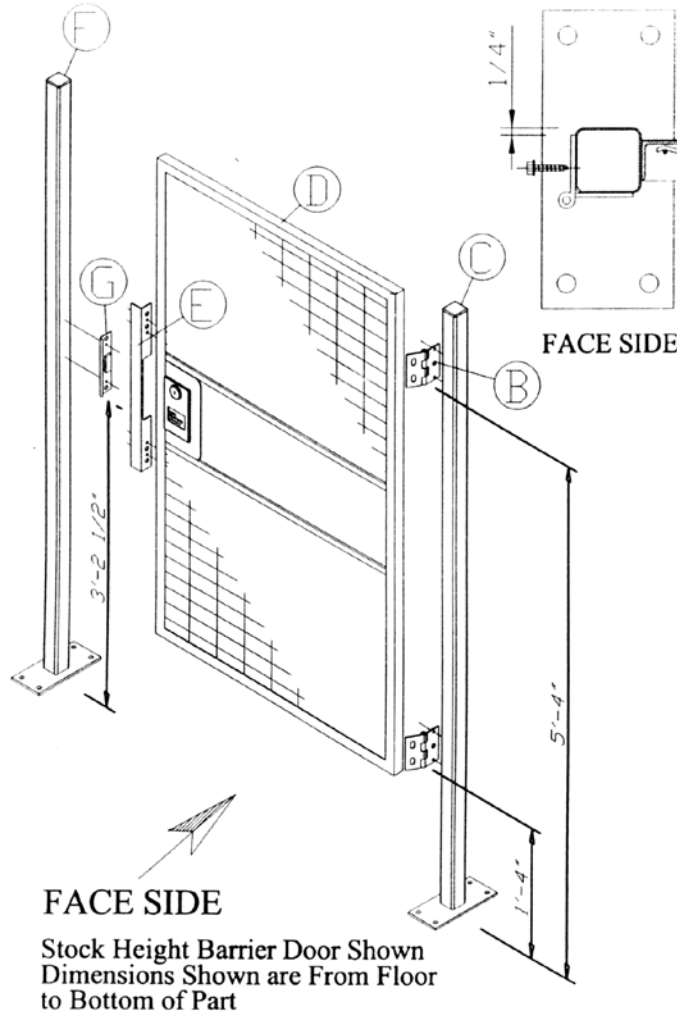
**INSTALLER NOTE**  
Hack saw off  
and de-burr all  
protruding threads



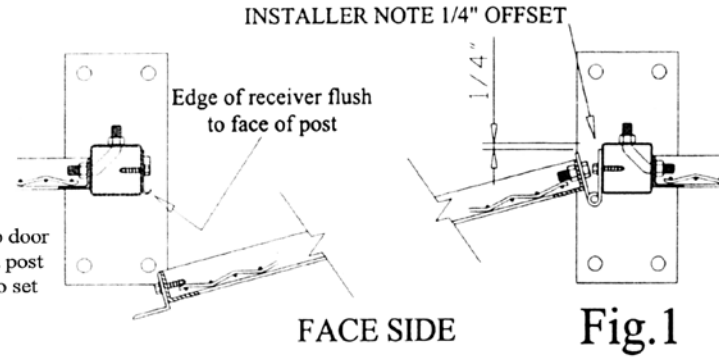
ADJUSTABLE HINGE  
CONNECTION

Fig.4

**Barrier Hinge Door Outside Swing Right Hand Shown**



**INSTALLATION TIP:**  
When attaching hinge to door post, wrap hinge around post (as shown in drawing) to set proper offset alignment



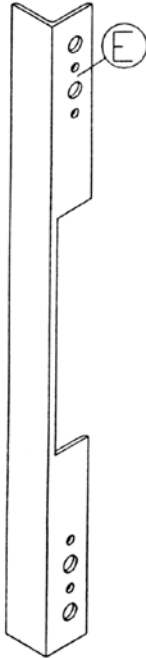
**INSTALLER NOTES:**

1. Component parts attach using self-drilling screws. Use variable speed screw gun with adjustable clutch or depth locating nose piece. Use care not to over tighten and strip threads. **DO NOT USE IMPACT TYPE GUNS.** Securely clamp part in place before attaching with self drilling screws.
2. The dimensions shown on this page are for standard physical barrier hinge doors 5'-0" tall with a sweep space of 1'-0".
3. Partition wall should be set up and anchored to floor, with posts plumb before attempting to install doors.

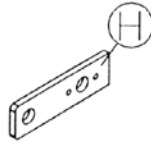
**Physical Barrier Hinge Door Outside Swing**

1. Check opening width at floor, and anchor posts to floor.
  - a. Check that posts are plumb and opening is square.
2. Attach hinges (B) to door post (C) using two self drilling screws per hinge.
  - a. Note hinge placement offset detailed in Fig 1 and install tip Fig 2.
  - b. If necessary, remove two 3/8" x 3" panel mounting bolts and replace with corner bolts. Cut off and file smooth any protruding bolt threads.
3. Attach door panel (D) to hinges with two 3/8" x 1" bolts and nuts per hinge.
  - a. Set desired sweep space (12" for stock doors).
4. Attach pick plate (E) to door panel (D) using four self drilling screws.
  - a. Pick plate should be centered over lock tongue hole.
  - b. Bottom of pick plate installs 20" from bottom of stock doors.
5. Attach cylinder lock receiver (G) to door post (F) with two self-drilling screws.
  - a. Rolled side of receiver installs to face side of partition.
  - b. Bottom of receiver installs 38-1/2" from floor for stock doors.
6. Install cylinder lock (if applicable). See page 5.
7. Check operation of door, adjust as needed.

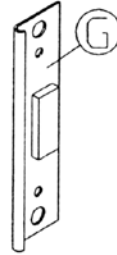
**Hinge Door Hardware Pack**



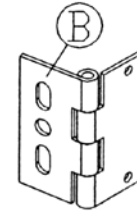
Hinge Door Angle Pick Plate  
 Quantity (1)  
 Part# HDCPLI



Hinge Door Flat Padlock Lug  
 Quantity (1)  
 Part# HDFLPLLI



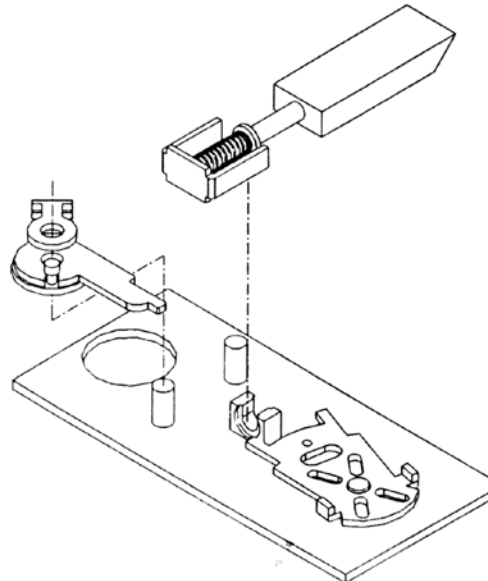
Hinge Door Lock Receiver  
 Quantity (1)  
 Part# HDLRLI



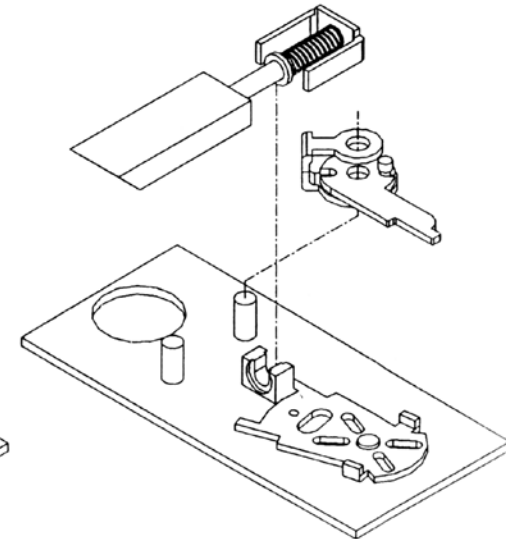
Door Hinge  
 Quantity (3)  
 Part# HDHG44I

**SEE SUPPLIED LOCK MANUFACTURER  
 INSTRUCTIONS FOR ASSEMBLY**

- HDFSPK - Fastener Pack (Contents Below)**
- (25) FSHOPG- Gray Hole Plugs
  - (8) COBO- 3/8" Corner Bolts
  - (8) FS383- 3/8" x 3" Hex Head Cap Screw
  - (6) FS381- 3/8" x 1" Hex Head Cap Screw
  - (30) FS38N- 3/8" Hex Nut
  - (4) FS38STA- 3/8" Wedge Anchor
  - (1) FSTRNSPK- Self-Drilling Screws (25)



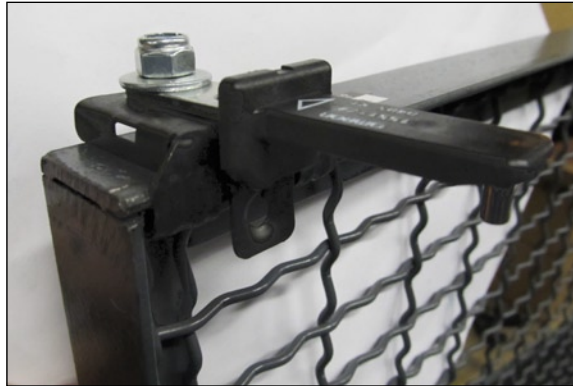
RIGHT HAND ASSEMBLY



LEFT HAND ASSEMBLY

### Installation of Switch Assembly Kit (Morse Kit # 5152KIT-P) for non-explosion proof enclosures

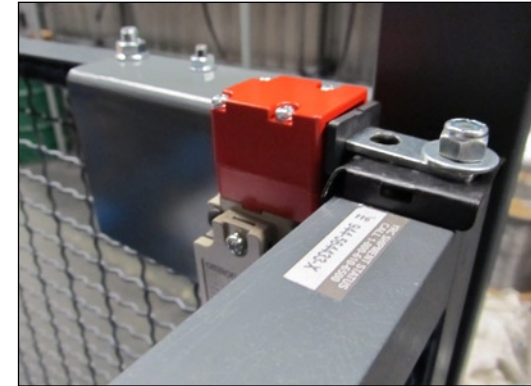
Morse Part # 5152KIT-P  
Switch Assembly



Install key on the door of the enclosure so that it aligns with the switch on the side panel.

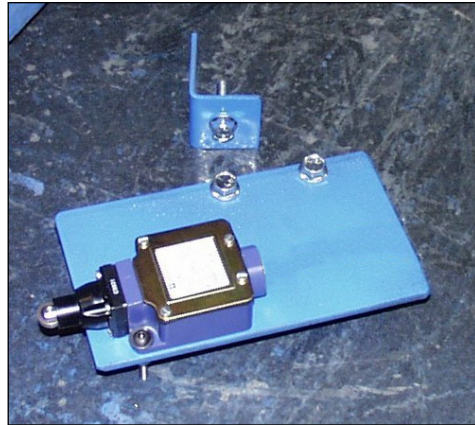


Close enclosure and verify that the key aligns properly with the switch. If key is not aligned properly, adjust accordingly. Key may be adjusted by loosening its screws and moving, then re-tightening screws.



**Installation of Switch Assembly Kit (Morse Kit # 3597KIT-P) for explosion proof enclosures**

Morse Part # 3597KIT-P  
 Switch Assembly



Morse Part # 3597KIT-P  
 Switch Assembly mounted on  
 enclosure

