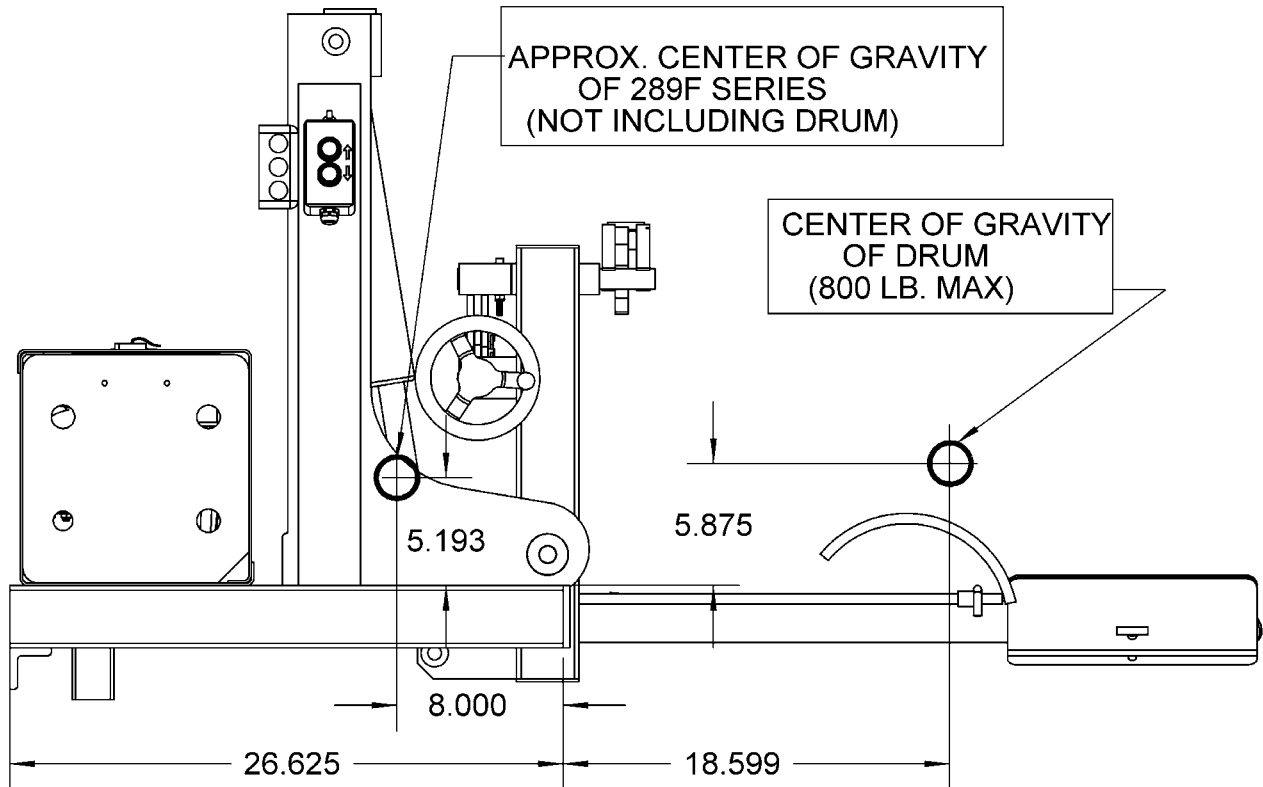


Lost Load Capacity with Morse Model 289F MORStak™ Fork Mounted Drum Racker
 Serial Number 243093 to _____

Center of Gravity Dimensions for Calculating Lost Load on Equipment



DIMENSIONS ARE MEASURED FROM INSIDE OF FORK TUBE END. THIS WILL GIVE A FIXED POINT TO WHICH LOST LOAD DATA CAN BE DETERMINED. FORKS MUST BE TOUCHING THIS FORK TUBE END.

MODEL
289F

NET WEIGHT
594 Lb.