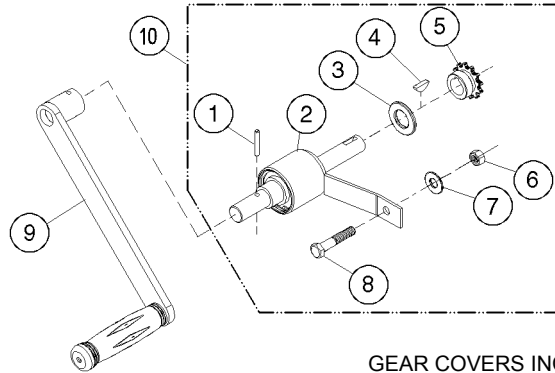


Option X01 Hand Crank with MORStop Tilt Brake

Serial number 0903 to 0209 (MMYY)

ITEM	QTY.	PART #	DESCRIPTION
1	1	64-P	ROLL PIN, 3/16 X 1-1/4
2	1	3901-P	MORStop TILT BRAKE
3	1	55-P	WASHER, 3/4 SAE FL 1-1/2 OD
4	1	735-P	KEY, WOODRUFF, SIZE 9, ASA606
5	1	11-P	SPROCKET, #35 12T, 3/4" BORE
6	1	1169-P	NUT, 3/8-16 REV HEX LOCK
7	1	1166-P	WASHER, 3/8 USS 1" OD
8	1	82-P	HHCS, 3/8-16 X 2-1/4 GR2
9	1	5U-P	HAND CRANK, W/ SOCKET TUBE
11	1	4062-P	KIT, POLY COVER, 185, 285, 400
12	1	1051-P	KIT, SQ COVER, 185HD SERIES
13	1	1053-P	KIT, SQ COVER, 285HD SERIES

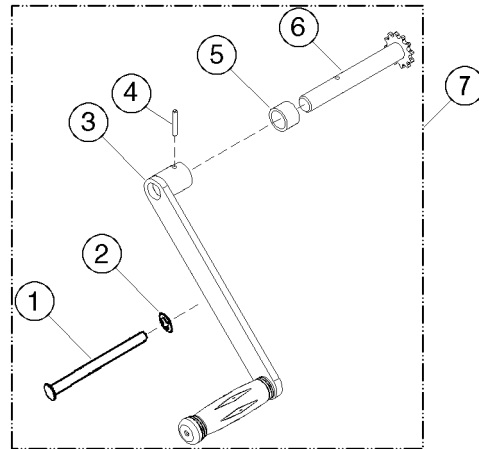


GEAR COVERS INCLUDED IN X01 OPTION, BUT NOT SHOWN IN DIAGRAM

Option X02 Hand Crank

Serial number 1003 to 0209 (MMYY)

ITEM #	QTY.	PART #	DESCRIPTION
1	1	100-P	STOP PIN, HAND CRANK, 1/2"
2	1	718-P	PUSH NUT, 1/2"
3	1	5U-P	HAND CRANK, 400, 405
4	1	64-P	ROLL PIN, 3/16 X 1-1/4
5	1	1411-P	SPACER FOR SHAFT W/ 12T
6	1	1302-P	SHAFT W/ 12T SPROCKET, POCKET
7	1	1460-P	CRANK KIT, SIMPLE, W/ 12T
8	1	4062-P	COVER KIT, POLY, 185, 285, 400
9	1	1051-P	COVER KIT, SQ, 185HD SERIES
10	1	1053-P	COVER KIT, SQ, 285HD SERIES

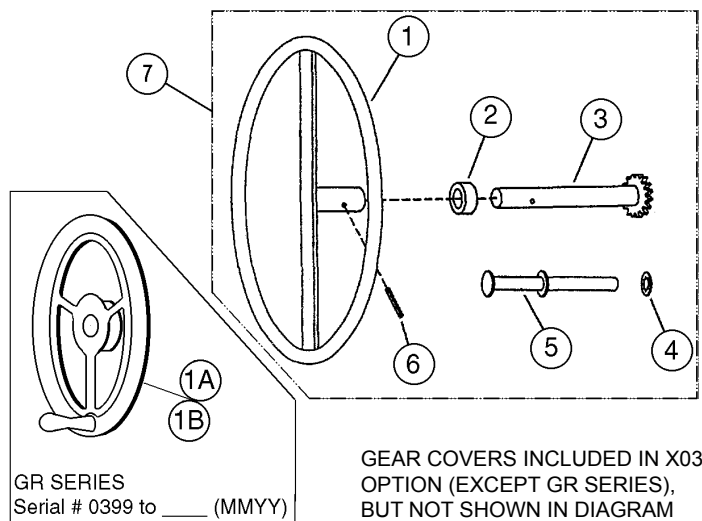


GEAR COVERS INCLUDED IN X02 OPTION, BUT NOT SHOWN IN DIAGRAM

Option X03 Hand Wheel

Serial number 0697 to 0209 (MMYY)

ITEM #	QTY.	PART #	DESCRIPTION
1	1	2685-P	HANDWHEEL, 16", 3/4" BORE
1A	1	2813-P	HANDWHEEL, 10", 185GR, 3/4"
1B	1	2874-P	HANDWHEEL, 10", 285GR, 5/8"
2	1	1411-P	SPACER, FOR SHAFT W/ 12T
3	1	1302-P	SHAFT W/ 12T SPROCKET, POCKET
4	1	718-P	PUSH NUT, 1/2"
5	1	101-P	STOP PIN CPT, HANDWHEEL
6	1	64-P	ROLL PIN, 3/16 X 1-1/4
7	1	2690-P	HANDWHEEL KIT, 16" DIA, W/ 12T
8	1	4062-P	COVER KIT, POLY, 185, 285, 400
9	1	1051-P	COVER KIT, SQ, 185HD SERIES
10	1	1053-P	COVER KIT, SQ, 285HD SERIES



GEAR COVERS INCLUDED IN X03 OPTION (EXCEPT GR SERIES), BUT NOT SHOWN IN DIAGRAM