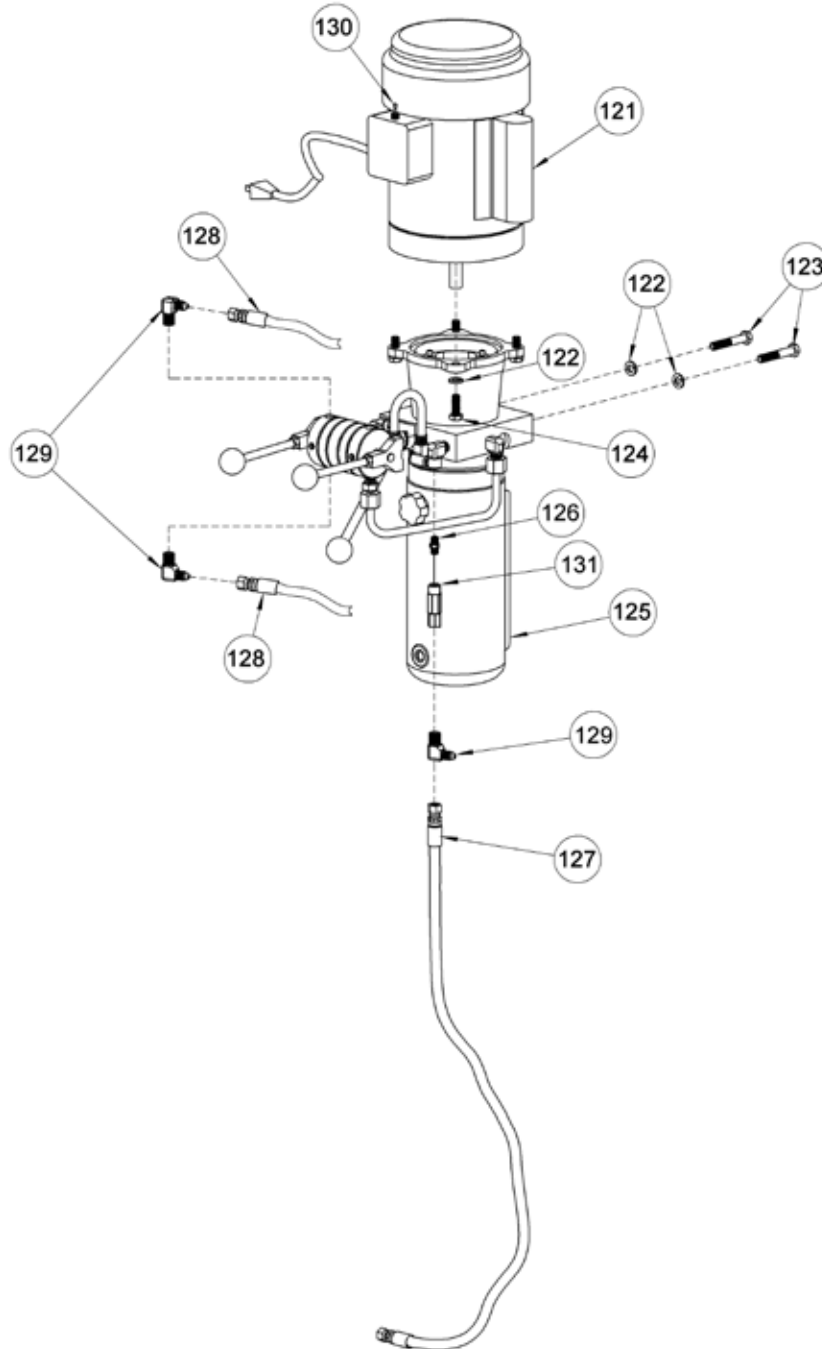


Parts List and Diagram for Morse Option # 110-525



ITEM	QTY.	PART #	DESCRIPTION
121	1	1062-P	MOTOR 1HP 1PH TEFC 56C W/ CORD
122	6	1474-P	WASHER, 3/8 SPLIT LOCK
123	2	82-P	HHCS, 3/8-16 X 2-1/4 GR2
124	4	1572-P	HHCS, 3/8-16 X 1 GR2
125	1	M4507-P	HYD POWER PACK, -110, -114
126	1	1108-P	HYD FIT, PIPE NIPPLE, 1/4

ITEM	QTY.	PART #	DESCRIPTION
127	1	3573-P	HYD HOSE ASM, VERT, CYL, 45"
128	2	3571-P	HYD HOSE ASM, 1X PT, 132"
129	3	765-P	HYD FIT, MALE ELBOW, FLARE 400
130	1	3633-P	SWITCH, TOGGLE, MOMENTARY, 400
131	1	3833-P	VALVE, P.C. FLOW CONT 1.25 GPM