

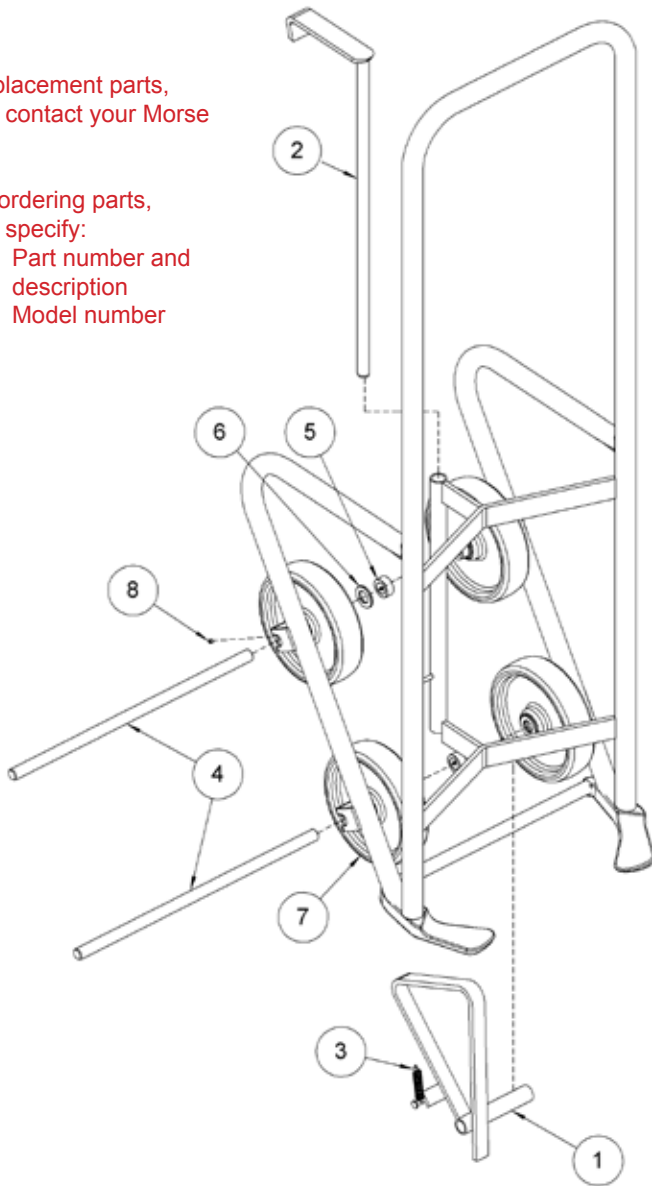
### Parts List and Diagram for 160 Series 4-Wheel Drum Trucks

Model 160 4-Weel Drum Truck			
ITEM	QTY	PART #	DESCRIPTION
1	1	1369-P	STAND WELD, 160
2	1	1367-P	HOOK WELD, 160
3	1	1114-P	SPRING, EXTENSION, 160
4	2	1355-P	AXLE, 19.75", 160
5	4	15-P	COLLAR, 3/4" ID
6	4	55-P	WASHER, 3/4 SAE FL 1-1/2 OD
7 *	4	87-P	WHEEL, MORTUF, 8", 3/4" BRG
8	4	1000-P	SET SCREW, 1/4-20 X 1/4

For replacement parts, please contact your Morse dealer.

When ordering parts, please specify:

- Part number and description
- Model number



Model 160M 4-Wheel Drum Truck with Spark Resistant Parts			
ITEM	QTY	PART #	DESCRIPTION
2	1	2765-P	HOOK WELD, SR, 160M
4	2	1355-P	AXLE, 19.75", 160
5	4	15-P	COLLAR, 3/4" ID
6	4	55-P	WASHER, 3/4 SAE FL 1-1/2 OD
7 *	4	87-P	WHEEL, MORTUF, 8", 3/4" BRG
8	4	1000-P	SET SCREW, 1/4-20 X 1/4

Model 160-WP 4-Weel Drum Truck with Pneumatic Wheels			
ITEM	QTY	PART #	DESCRIPTION
1	1	1369-P	STAND WELD, 160
2	1	1367-P	HOOK WELD, 160
3	1	1114-P	SPRING, EXTENSION, 160
4	2	1381-P	AXLE, 160-WP
5	6	15-P	COLLAR, 3/4" ID
6	4	55-P	WASHER, 3/4 SAE FL 1-1/2 OD
7 *	4	1379-P	WHEEL, PNEUMATIC 10", 160-WP
8	4	1000-P	SET SCREW, 1/4-20 X 1/4

Model 160-SS Stainless Steel 4-Weel Drum Truck			
ITEM	QTY	PART #	DESCRIPTION
1	1	2752-P	STAND WELD, 160-SS
2	1	2756-P	HOOK WELD, 160-SS
3	1	2759-P	SPRING, EXTENSION, 160-SS
4	2	2758-P	AXLE, 160-SS
5	4	15SS-P	COLLAR, 3/4" ID, SS
6	4	55SS-P	WASHER, 3/4 SAE FL 1-1/2 OD SS
7 *	4	87-P	WHEEL, MORTUF, 8", 3/4" BRG
8	4	1000SS-P	SET SCREW, 1/4-20 X 1/4, SS

Model 160-WP-SS Stainless Steel 4-Wheel Drum Truck with Pneumatic Wheels			
ITEM	QTY	PART #	DESCRIPTION
1	1	2752-P	STAND WELD, 160-SS
2	1	2756-P	HOOK WELD, 160-SS
3	1	2759-P	SPRING, EXTENSION, SS, 160-SS
4	2	2758-P	AXLE, 160-SS
5	6	15SS-P	COLLAR, 3/4" ID, SS
6	4	55SS-P	WASHER, 3/4 SAE FL 1-1/2 OD SS
7 *	4	1379-P	WHEEL, PNEUMATIC 10", 160-WP
8	4	1000SS-P	SET SCREW, 1/4-20 X 1/4, SS

\* Recommended spare parts