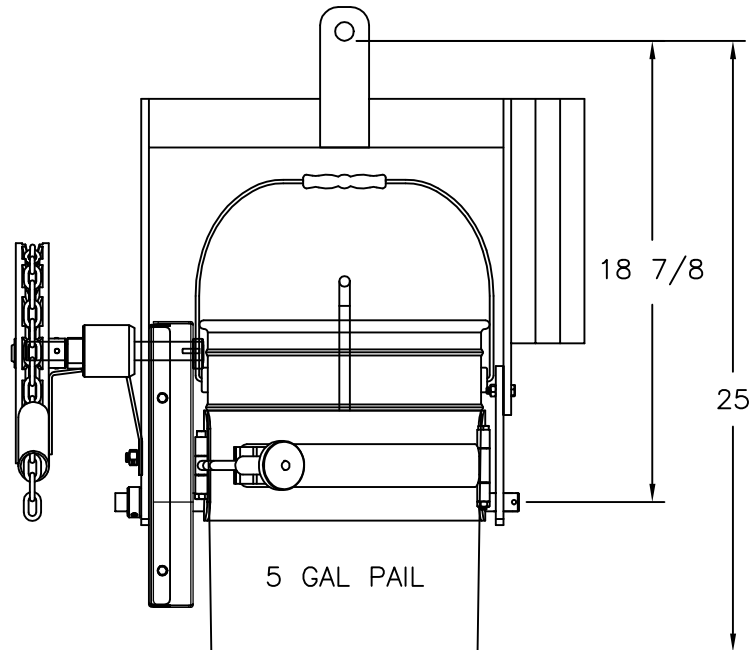
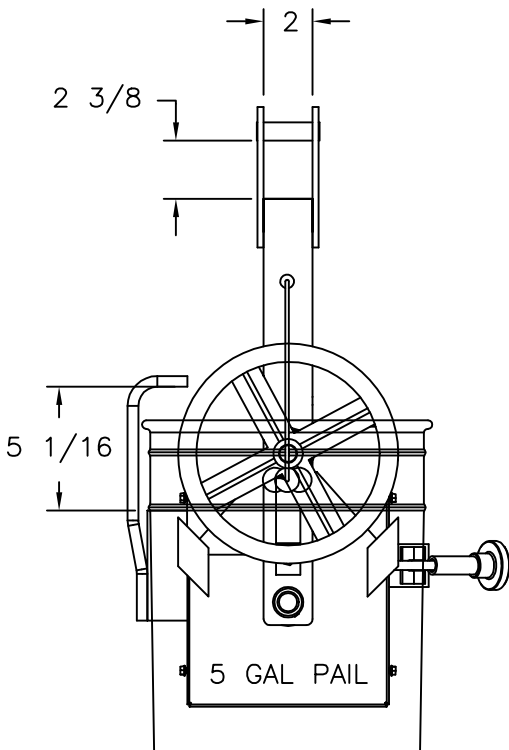
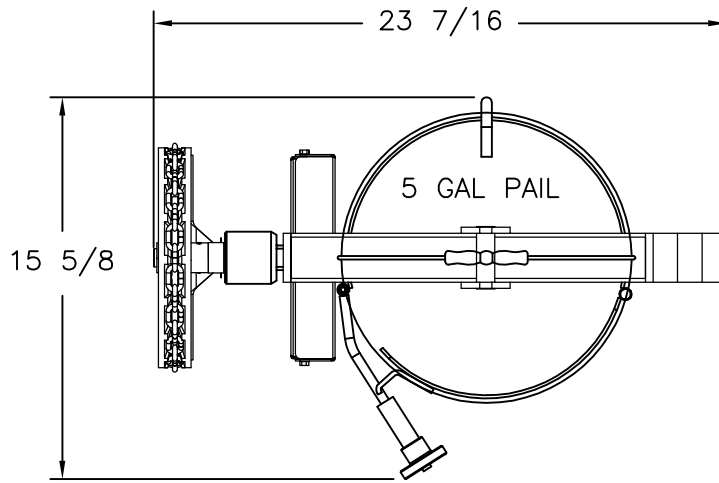


- SIMILAR TO MODEL 185A EXCEPT FOR HANDLING A 5GAL PAIL

- INCLUDES MORTSOP TILT BRAKE
- SHOWN WITH 5GAL PAIL
- 200LB CAPACITY



			MORSE 727 WEST MANLIUS ST. P.O. BOX 518 MANUFACTURING CO.,INC. EAST SYRACUSE, NY 13057
			THIS DOCUMENT, AND THE DESIGNS IT DESCRIBES, ARE PROPERTY OF MORSE MFG. CO. AND ARE NOT TO BE REPRODUCED OR USED IN ANY WAY DETRIMENTAL TO THE INTERESTS OF MORSE MFG. CO.
REVISION	EFFECTIVE DATE	INITIALS	
TITLE: SPL 185A, 5GAL PAIL, 200LB		UNLESS OTHERWISE SPECIFIED	DRAWN BY: PM
PART #: 185S-5		FRACTIONS ± 1/32 .XXX ± .005	SCALE: 1:8
PART FOR:		ANGLES ± 1° .XX ± .02	DATE: 2/14/12
		* = STOCK SIZE	PAGE: 1