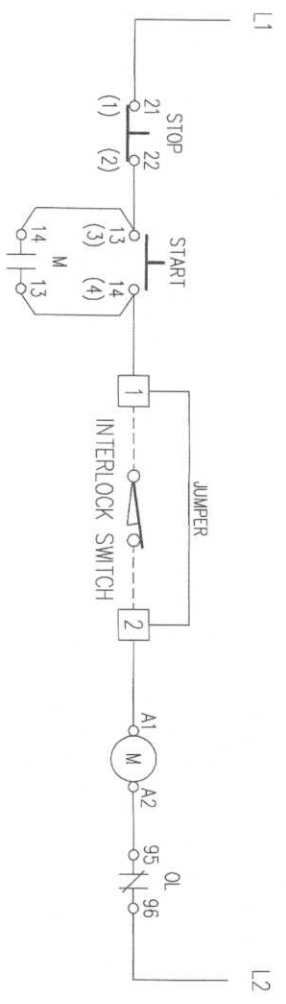


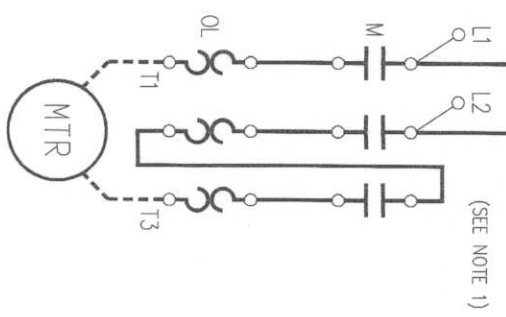
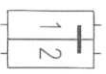
CUSTOMER TO SUPPLY PROPERLY PROTECTED
INCOMING POWER AS PER LOCAL CODES.
(USE 75°C COPPER WIRE ONLY)

[INCOMING POWER
120V 1Ø 60HZ]



- NOTES:
- 1) SINGLE PHASE APPLICATIONS: 120VAC COILS AND ABOVE SHALL BE WIRED TO LINE SIDE L1 & L2.
 - 2) TB JUMPER TO BE REMOVED IF INTERLOCK SWITCH IS USED.
 - 3) X2 TERMINAL GROUNDED AS STANDARD, REMOVE IF NOT REQUIRED.

TERM. BLOCK DETAIL



NON COMBINATION
11.5-13A

NOTICE

THIS DRAWING IS THE CONFIDENTIAL PROPERTY OF SPRECHER-SCHUH, INC. and, as such, is subject to recall at any time. The drawing may not be reproduced, used or disclosed for any purpose except as authorized by SPRECHER-SCHUH, INC.

DRAWN BY:	MB
CHECKED BY:	MH
APPROVED BY:	PCD
DATE:	

CUSTOM CONTROL PANEL
FVNR W/ START-STOP
PART NUMBER - 3814C-P
AUBURN ARMATURE - MORSE MFG

sprecher+
schuh
HOUSTON,
SHEET 3 OF 3
DWG. NO. CCP WS-615-1999