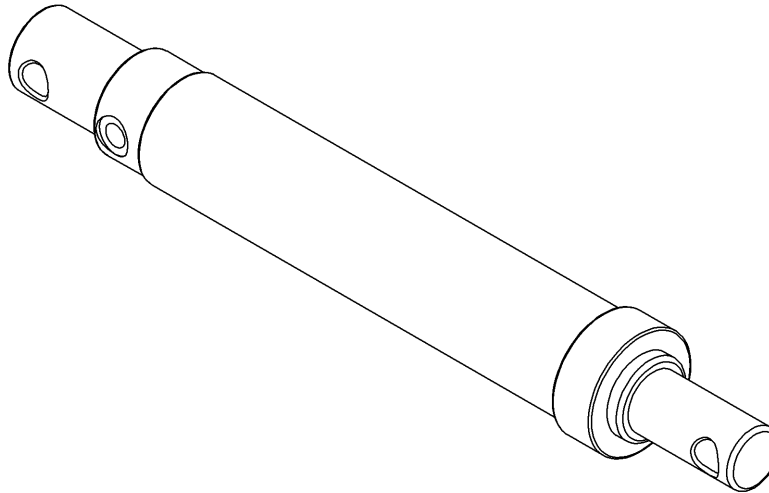


Replacement Parts List for Morse Part # 4572-P Hydraulic Cylinder

Used on:

- 310 Series Tilt-To-Load Drum Tumblers with serial numbers 236553 to _____



QTY.	PART #	DESCRIPTION
1	4572-P	CYLINDER, 2 X 10.5, 310
1	4963-P	KIT, SEAL 2" CYL 4572-P

Note:

Stroke is 10-1/2" (26.7 cm)
 Length Closed: 19-1/2" (49.5 cm) Center to Center
 Length Fully Extended: 30" (76.2 cm) Center to Center