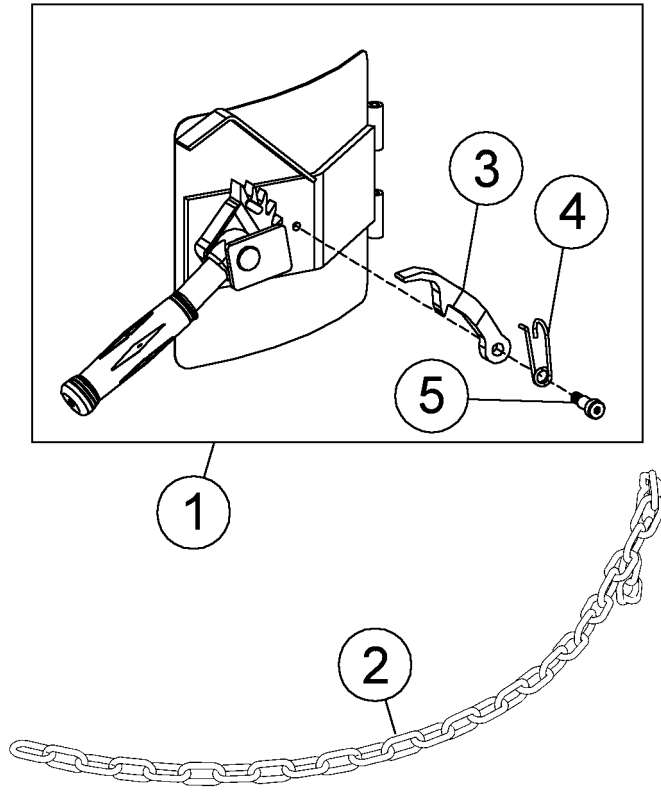


**Parts List and Diagram for Morse Kit # 727KIT-P**

This kit is required to replace the 3/16 alloy cinch chain (part # 180-P) and ratchet hinge plate (part # 726-P) on Morse drum holders. The 3/16 chain is no longer available and has been replaced by a 9/32 alloy chain. The ratchet hinge plate (part # 726-P) needs to be replaced in order to accommodate the larger diameter chain.



ITEM	QTY.	PART #	DESCRIPTION
1	1	727A-P	RATCHET PLATE CPT W/ TAB 1/4"
2	1	5017-P	CHAIN, CINCH, 9/32, 38 LINK
3	1	168-P	PAWL, WITH DRILLED HOLE
4	1	169-P	SPRING, PAWL
5	1	170-P	SCREW, 3/8 DIA X 5/8 SHOULDER