

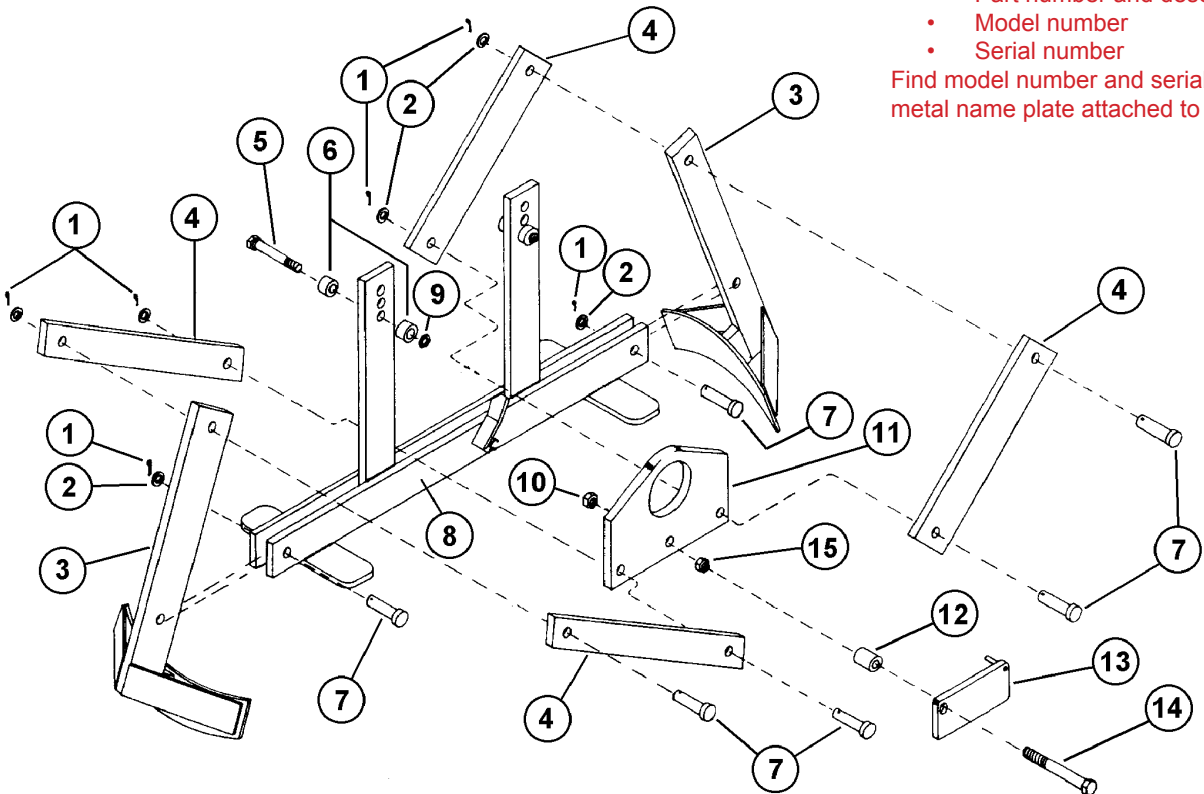
Operator's Manual for Morse Model 90 Verti-Karrier for 55-Gallon Drum

For replacement parts, please contact your Morse dealer.

When ordering parts, please specify:

- Part number and description
- Model number
- Serial number

Find model number and serial number on metal name plate attached to frame.



| ITEM | QTY. | PART # | DESCRIPTION |
|----------------------------|------|--------|--------------------------------|
| 1* | 6 | 785-P | COTTER PIN, 1/8" X 1" |
| 2 | 6 | 173-P | WASHER, 1/2 SAE FL 1-1/16 OD |
| 3 | 2 | 143-P | ARM WELD, 90 |
| 4 | 4 | 985-P | LINK, 90, 6/88 |
| 5 | 2 | 1168-P | HHCS, 1/2-13 X 2 GR2 |
| 6 | 4 | 151-P | STOP SPACER, 90 |
| 7* | 6 | 1167-P | CLEVIS PIN, 1/2" X 1-3/8", 90 |
| 8 | 1 | 144-P | BASE WELD, 90 |
| 9 | 2 | 91-P | NUT, 1/2-13 FIN HEX |
| 10 | 1 | 1169-P | NUT, 3/8-16 REV HEX LOCK |
| 11 | 1 | 980-P | LIFTING PLATE, B/O, DRILLED 90 |
| 12 | 1 | 1968-P | TUBING, 5/8 OD X .688 90 155 7 |
| 13 | 1 | 145-P | LATCH WEIGHT WELD, 90 |
| 14 | 1 | 82-P | HHCS, 3/8-16 X 2-1/4 GR2 |
| 15 | 1 | 1165-P | NUT, 3/8-16 JAM |
| * Recommended spare parts. | | | |