

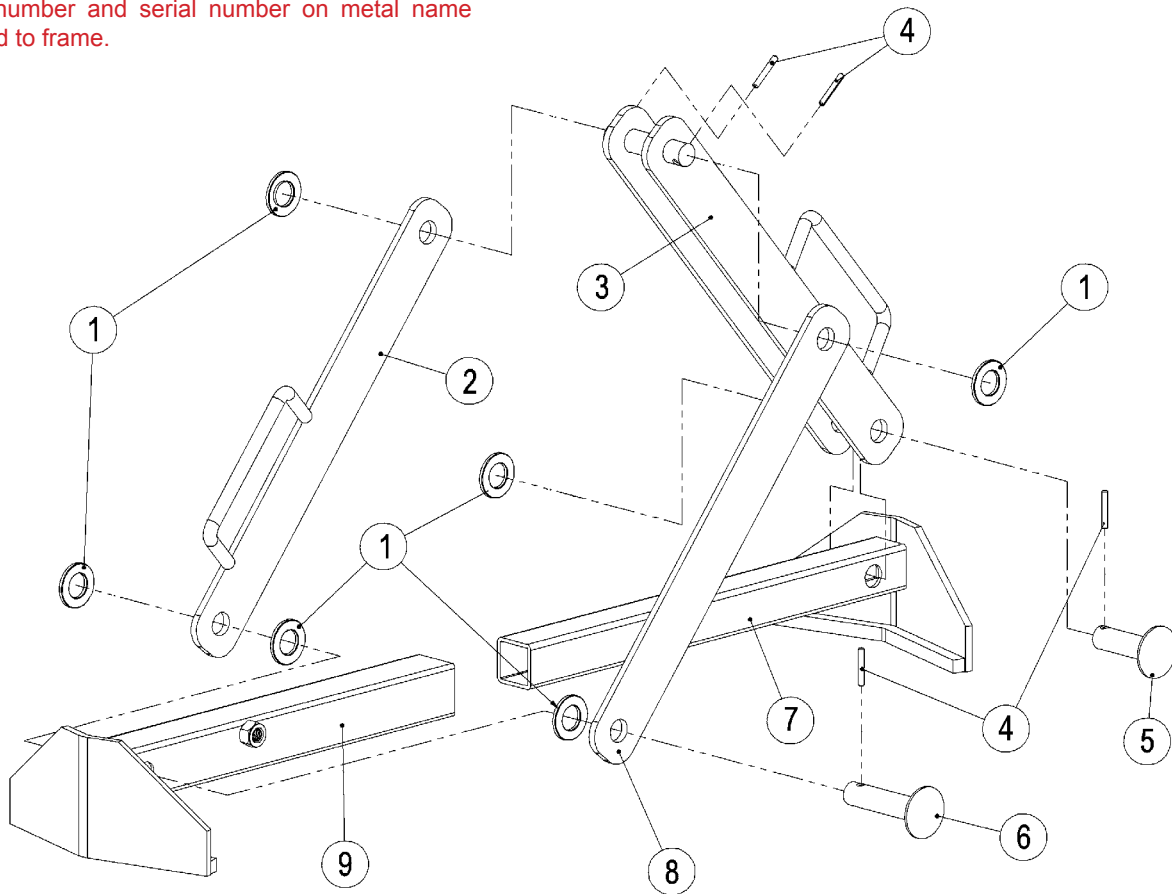
Operator's Manual for Morse Model 92-SS Stainless Steel Drum Lifter for 18" to 26" Diameter Rimmed Drum

For replacement parts, please contact your Morse dealer.

When ordering parts, please specify:

- Part number and description
- Model number
- Serial number

Find model number and serial number on metal name plate attached to frame.



| ITEM | QTY. | PART # | DESCRIPTION |
|------|------|----------|--------------------------------|
| 1 | 6 | 55SS-P | WASHER, 3/4 SAE FL 1-1/2 OD SS |
| 2 | 1 | 1440SS-P | LINK WELD W/ HANDLE, 92-SS |
| 3 | 1 | 2942SS-P | DOUBLE LINK WELD, 92-SS |
| 4 | 4 | 64SS-P | ROLL PIN, 3/16 X 1-1/4, SS |
| 5 | 1 | 1435SS-P | SMALL TUBE CLEVIS PIN, 92-SS |
| 6 | 1 | 1436SS-P | CLEVIS PIN, 92-SS, 3.1563" |
| 7 | 1 | 1439SS-P | SMALL SLIDER TUBE WELD, 92-SS |
| 8 | 1 | 1429SS-P | LINK, 92-SS |
| 9 | 1 | 1438SS-P | LARGE SLIDER TUBE WELD, 92-SS |