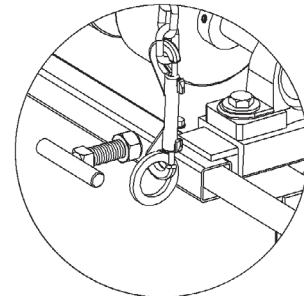
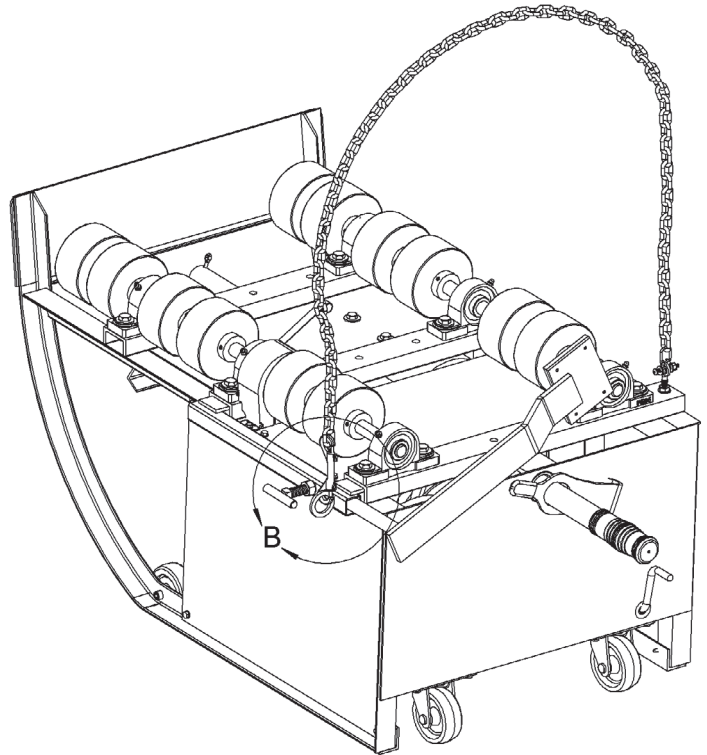


Factory Installed Option POLY-201
to roll a plastic drum on wheeled Morse 201 series Portable Drum Rollers
Serial number 286584 to 440980



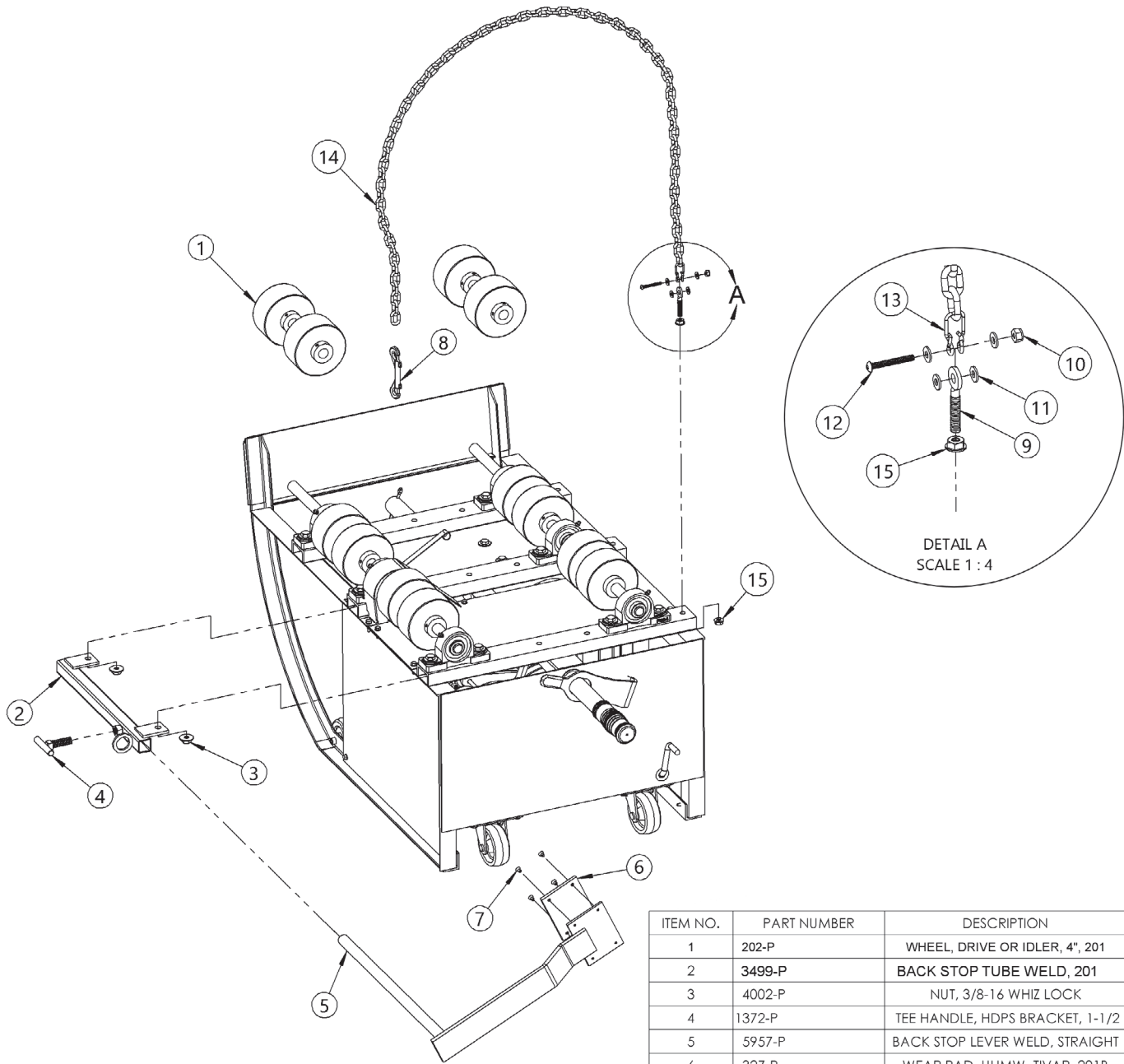
Morse Portable Drum Roller
shown with factory installed Option # POLY-201



DETAIL B
SCALE 1 : 4



**Factory Installed Option POLY-201
to roll a plastic drum on wheeled Morse 201 series Portable Drum Rollers
Serial number 286584 to 440980**



ITEM NO.	PART NUMBER	DESCRIPTION	QTY.
1	202-P	WHEEL, DRIVE OR IDLER, 4", 201	4
2	3499-P	BACK STOP TUBE WELD, 201	1
3	4002-P	NUT, 3/8-16 WHIZ LOCK	2
4	1372-P	TEE HANDLE, HDPS BRACKET, 1-1/2	1
5	5957-P	BACK STOP LEVER WELD, STRAIGHT	1
6	327-P	WEAR PAD, UHMW, TIVAR, 201B	1
7	248-P	FHMS, 10-24 X 3/8	4
8	575-P	SNAP HOOK, GR. 300	1
9	M01327-P	BOLT, 5/16-18 X 1-7/8 EYE, MON	1
10	1869-P	10 - 24 NYLON LOCK NUT	1
11	3292-P	WASHER, SAE # 10,ID3/16"OD7/16	4
12	1867-P	BHSC, 10-24 X 1-3/4	1
13	MCH63 LINK	CHAIN, PULL, 1/0 LOCK LINK	1
14	3988-P	CHAIN, 1/0 LOCK LINK, 66"	1
15	1634-P	NUT, 5/16-18 WHIZ LOCK	2